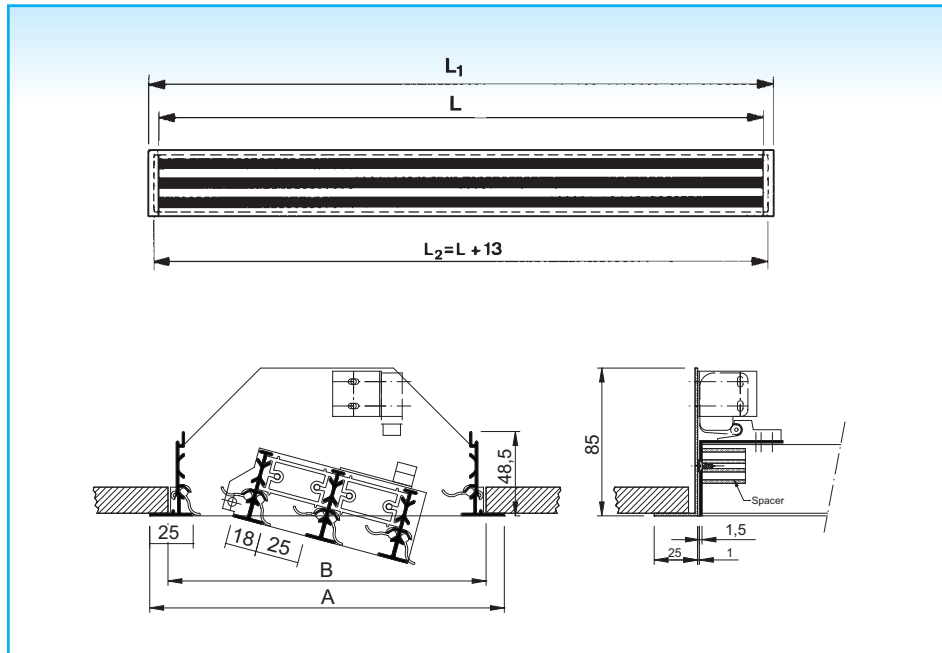


ADJUSTABLE SLOTDIFFUSER WITH DOOR SE900

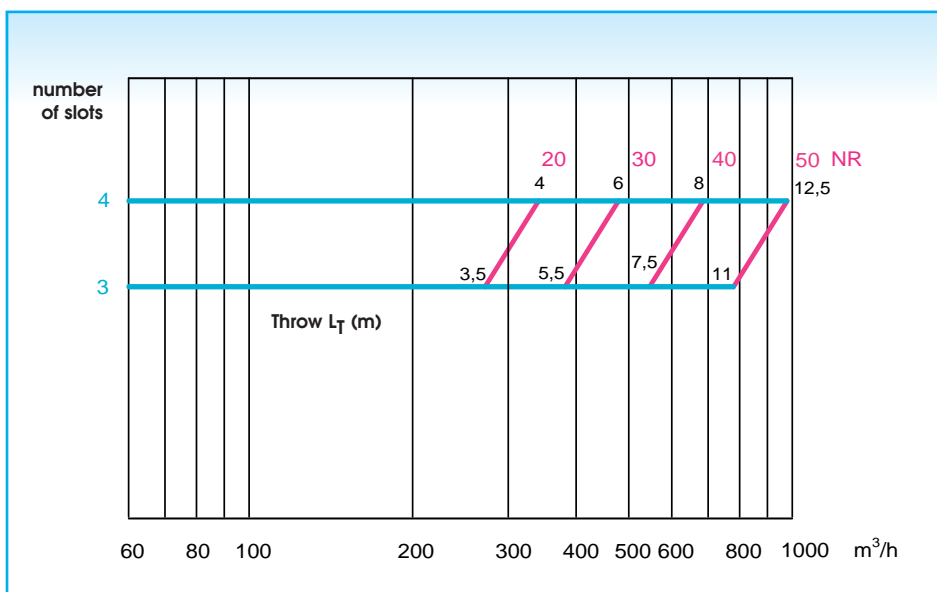
Installation dimensions



	Number of slots					
	3	4	5	6	7	8
A (SE)	161	204	247	290	333	376
B	140	183	226	269	312	355

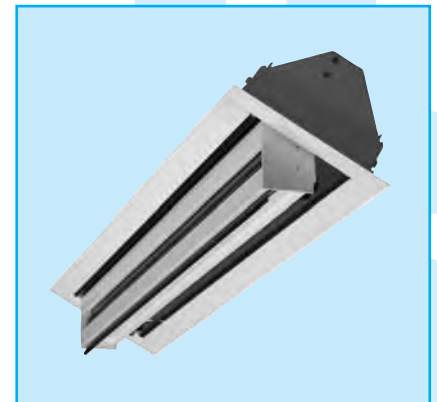
L = slot length SE : $L_1 = L + 50$ All dimensions in mm
 L_2 , B = minimum ceiling opening E = 25

Fast selection diagram



Throw factor is based on a v_T of 0,17 m/s in the occupied zone.

See page 4 016 for a detailed selection.



Application

The slot diffuser type SE900 is used for the supply and exhaust of cooled and heated air in facilities such as offices, shops, meeting rooms, ...

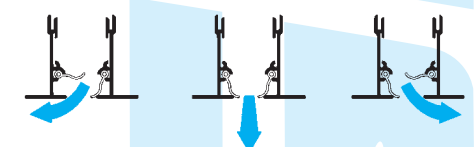
It is designed for ceiling or sidewall mounting and is available from 3 to 8 slots. Each slot is individually adjustable and equipped with 2 deflector vanes of a special design to minimise the internal turbulences. An ideal air supply pattern, adjustable over 180° can be obtained. All lengths are available, so the diffuser is perfect to fit in each ceiling system.

Technical information

Characteristics:

- **SE900:** available from 3 to 8 slots
- all lengths available (in steps of 1 mm) from 300 mm up to 2000 mm in one piece
- frame 25 mm
- exhaust: without deflectors
- supply: horizontal or vertical air supply pattern possible through adjustable deflectors

Adjustment possibilities:



Available with plenum box; up to a length of 1600 mm supplied with one circular inlet, over 1600 mm two circular inlets.

Construction:

- **SE900:** extruded aluminium and natural tone anodised aluminium with black extruded aluminium deflectors
- **plenum:** galvanised steel sheet, optional insulation.

Specification description

Example:

Aluminium linear diffuser with 3 exhaust slots and adjustable deflectors. Plenum can be supplied mounted or separate, with internal insulation, with circular inlet spigot. Natural to anodised diffuser, black aluminium deflectors

Type: SE913 + SP923G
L = ... mm

Fixing

- Either by direct and fixed mounting of the diffuser on the plenum (mounting by Grada upon request).
- Plenum provided with mounting eyes (Ø 7 mm), mounting straps available upon request.

How to order

SE913 with 3 slots and black aluminium deflectors

S	E	9	1	3	-	F	1	0	0	0	-	-	-	-
---	---	---	---	---	---	---	---	---	---	---	---	---	---	---

- slot length (mm)
- F: painted in RAL-colors
- : slot diffuser in one piece with end caps on both sides
- number of slots
- 0: exhaust, no deflectors
- 1: supply, with black aluminium deflectors
- 2: supply, with white aluminium deflectors
- E: frame width 25 mm

Slot diffuser in a panel

S	E	9	1	3	P	F	1	2	0	0	1	3	5	0
---	---	---	---	---	---	---	---	---	---	---	---	---	---	---

- slot length (mm) panel length
- F: painted in RAL-colors
- P: with panel, with rebord on all sides*
- Z: with panel, with fine line 5/8 on the two shortest sides**
- number of slots
- 1: black deflectors
- 2: white deflectors

* All panels have a width of 300 mm with rebord on all sides and a flange of 10 mm at all sides

** All panels have a width of 300 mm with rebord on two sides and a flange of 10 mm at the longest side. The length of the panel is the total length, fine line included

remark: the length of the panel must be 55 mm longer than the nominal length of the diffuser.

