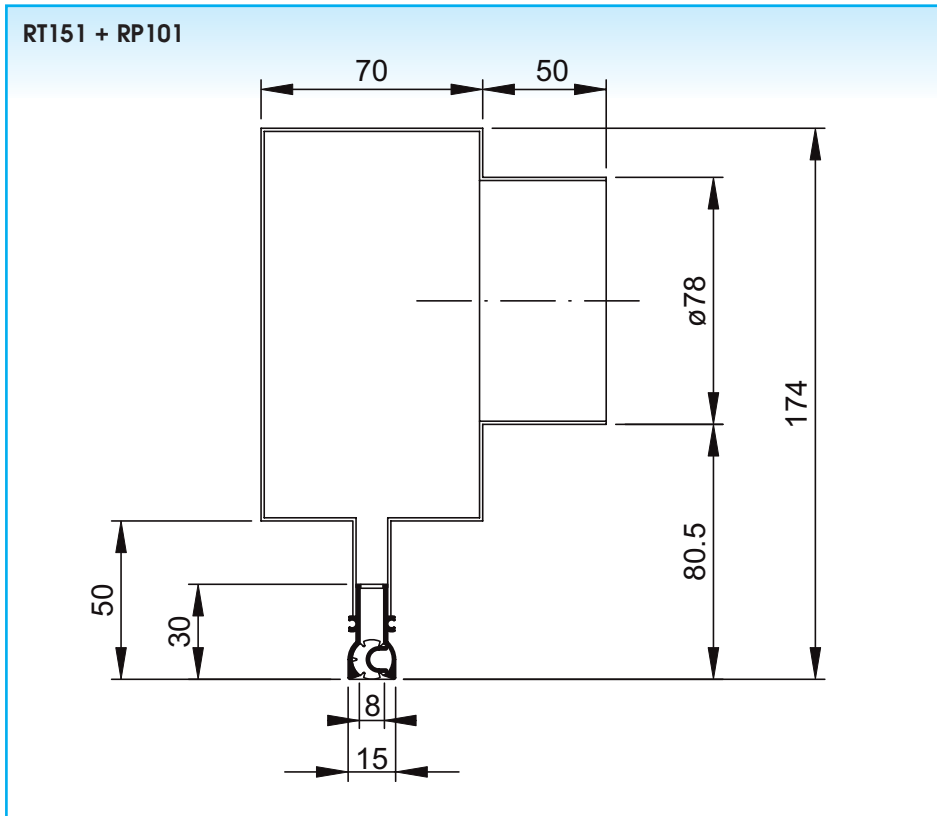
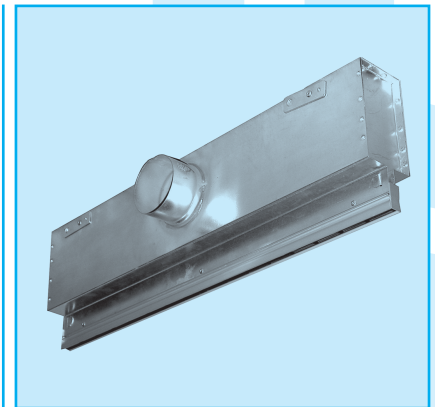


## DRUM SLOT DIFFUSER RT151

### Installation dimensions



All dimensions in mm



### Application

The RT151 drum slot diffuser is suitable for the supply and exhaust of cooled and warmed air in offices, shops, meeting rooms, etc. The diffuser is designed for ceiling mounting and is available with 1 slot. The slot is fitted with air direction elements which can be individually adjusted. These specially developed air direction elements (drums) ensure an ideal and stable air diffusion pattern as well as a low noise level. There is a high level of induction and air stream penetration in the room without any internal turbulence.

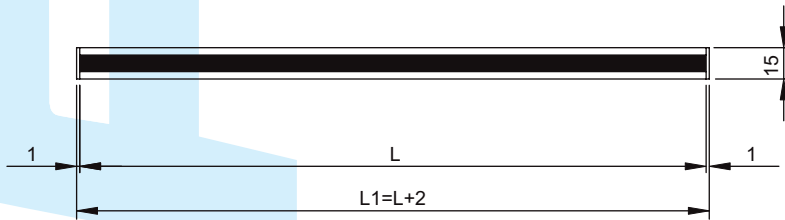
All lengths are available for an ideal fit in any ceiling.

### Technical Information

#### Characteristics:

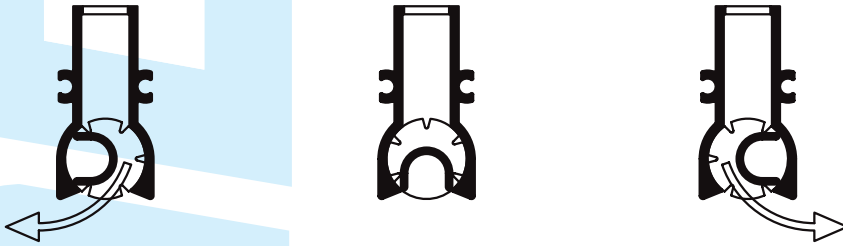
- 15 mm wide front diffuser with 1 air slot
- all lengths available (in 1 mm steps): from 300 mm to a length of 2000 mm in 1 piece, larger lengths in centre-pieces (length = 1500 mm) and end-pieces
- non-working parts or dummy diffusers with a blanked-off back available (RT111)
- exhaust: without air nozzles
- supply: one-sided horizontal and alternating exhaust pattern possible with the adjustable air nozzles which can be set either in the factory or on site simply by turning
  - alternating swirl: alternate at every air nozzle

**RT151**  
L = Slot length (mm)



$L_1$  = ceiling opening

**Adjustment possibilities RT151**



**How to order**

RT151 with 1 slot, painted in a RAL-colour, slot length = 1500 mm

R	T	1	5	1	-	F	1	5	0	0	-	-	-	-
---	---	---	---	---	---	---	---	---	---	---	---	---	---	---

- slot length (mm)
- : anodised aluminium  
F: painted in a RAL-colour
- : slot diffuser in one piece with end caps on both sides  
E: end pieces, with one end cap  
M: intermediate piece, without end caps
- 1: one slot
- 11: dummy diffuser  
15: ceiling opening 15 mm
- T: supply (black air direction elements)  
W: supply (white air direction elements)  
A: exhaust (without air direction elements)

- length of air nozzle = 150 mm
- 2.6 m < installation height < 4 m
- available with plenum
  - with or without volume control valve in the inlet, adjustable at the front diffuser
  - up to a length of 1600 mm fitted with one round inlet, over 1600 mm two round inlets
  - optional internal insulation

**Construction:**

- extruded aluminium, natural tone anodised or painted in a RAL colour
- fitted with black or white ABS plastic air nozzles
- galvanised steel sheet plenum, optional insulation

**Specifications description**

**Example:**

Aluminium line diffuser with 1 outlet slot with adjustable air nozzles. Suitable for mounting between ceiling strips. Delivered complete with fixed insulated plenum with round side connection and volume control valve. Diffuser painted black (RAL 9005) with black plastic air nozzles.

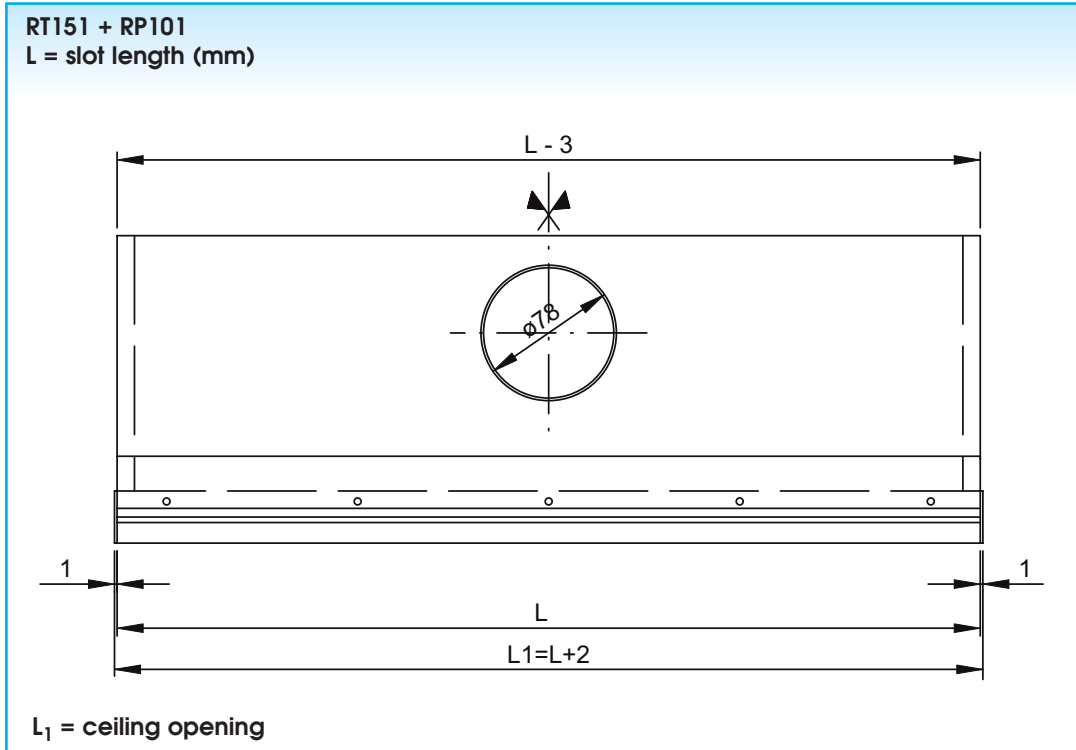
The plenum is made from galvanised steel sheet.

**Type:** RT151 F (RAL9005) + RP111G  
L = ... mm

**Fixing**

- diffuser attached directly to the plenum (monting by Grada upon request)
- provided with mounting eyes (ø 7 mm), mounting straps available upon request

### Installation dimensions



### How to order

