

TECHNICAL INFORMATION

APPLICATION	Airflow direction	Horizontal, vertical
	Airflow type	Linear / exhaust or supply
CONSTRUCTION	Shape	Square
	Min. height	100 mm
	Max. height	2000 mm
	Available steps in length	1 mm
	Min. height	37,5 mm
	Max. height	250 mm
	Available steps in height	12,5 mm
	Installation depth	35 mm
	Height	1,5 mm
MATERIAL	Standard material	Anodized aluminium
	Standard finishing	Satin anodized 11 µm
	Product finishing options	Powder coating RAL
MOUNTING	Mounting options	Invisible fixing with mounting clips

QUICK SELECTION

AK700 SUPPLY

Q [m³/h]		L [mm]							
H [mm]	Lw	200	300	400	500	600	700	800	1000
37,5	25 dB(A)	28	40	51	62	72	81	90	107
	35 dB(A)	45	65	83	101	117	132	147	175
50	25 dB(A)	42	60	78	94	109	123	137	163
	35 dB(A)	68	98	127	153	177	201	223	265
75	25 dB(A)	67	96	124	150	174	197	219	259
	35 dB(A)	109	157	202	244	283	321	356	423
100	25 dB(A)	90	129	166	201	233	264	293	347
	35 dB(A)	146	211	271	327	380	430	477	566
150	25 dB(A)	132	191	245	296	343	389	432	512
	35 dB(A)	216	312	400	483	561	635	705	837
200	25 dB(A)	174	250	321	388	450	510	566	671
	35 dB(A)	284	410	526	635	738	835	927	1099
250	25 dB(A)	215	310	398	480	557	631	700	830
	35 dB(A)	353	509	653	788	915	1035	1149	1362

AK700

FLOOR GRILLE WITH ALUMINIUM BARS

Variations [AK700](#) [AK720](#)



Aluminium bar grille, suitable for the supply and exhaust of cooled or heated air, with straight bars or with 15° deflection. The grille can be mounted in the floor. Standard delivered with mounting clips, various mounting options available. Standard finish satin anodised.

Architectural finish.

Suitable for floor installation.

Easy to install with mounting clips.



FLOOR



1 WAY THROW



RECTANGULAR EXECUTION

ACCESSORIES

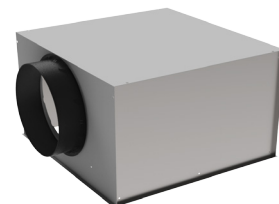
GT007

Damper



DP100

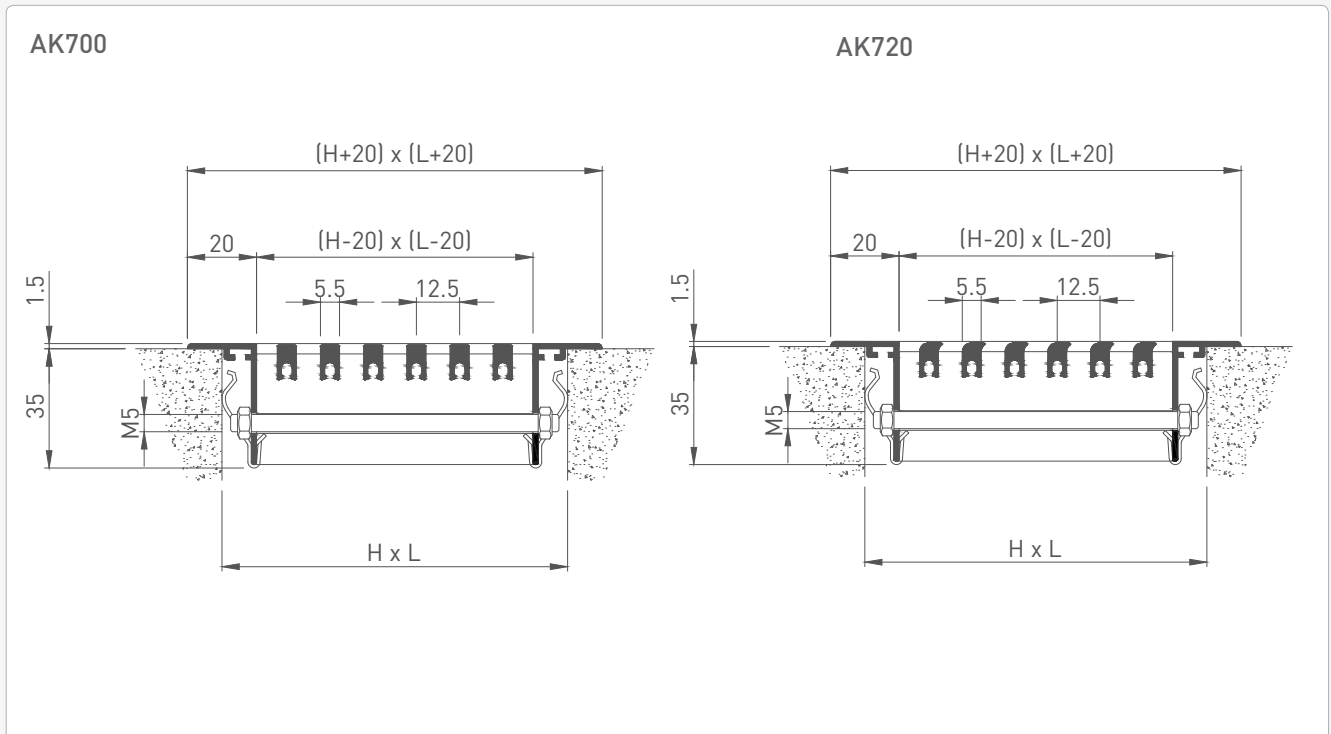
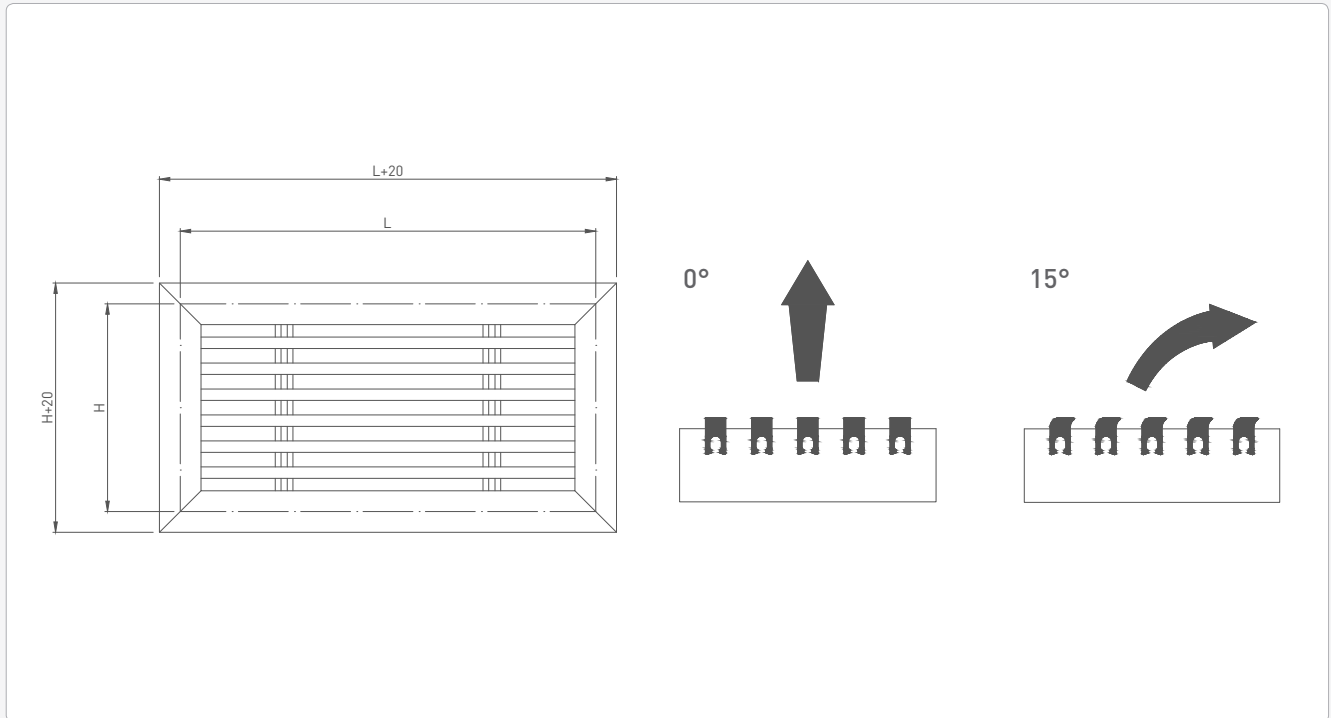
Plenum box



FLOOR GRILLE WITH ALUMINIUM BARS

AK700 AK720

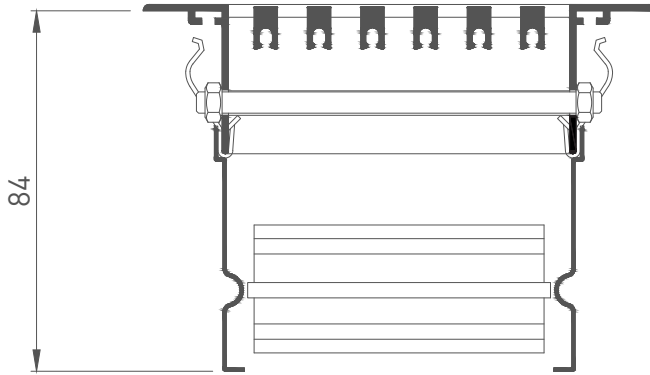
DRAWING



All dimensions in mm.

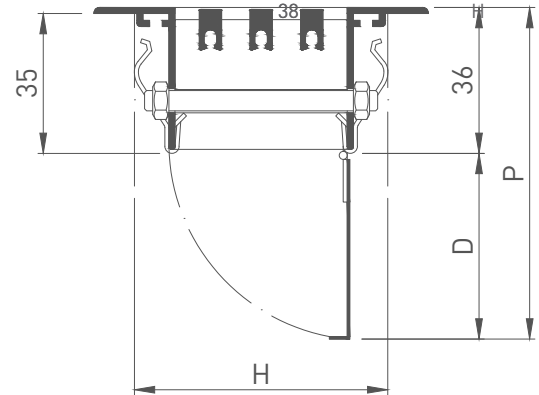
DIMENSIONS

AK707
AK727



i Damper type: GT007
Only available starting from a height of 75 mm.

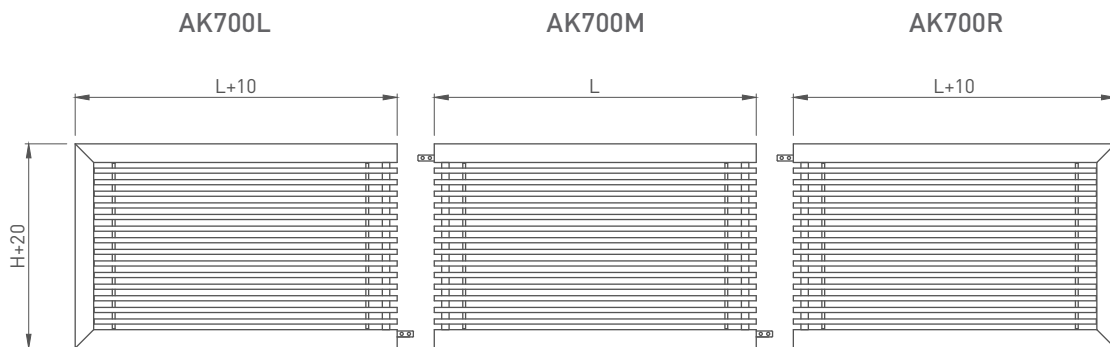
AK709
AK729



i Damper type: 9
Only available for the nominal heights 38, 50 and 63 mm
NOT AVAILABLE SEPARATELY.

H	D	P
38	21	56
50	33	67
63	46	81

CORNER SECTION

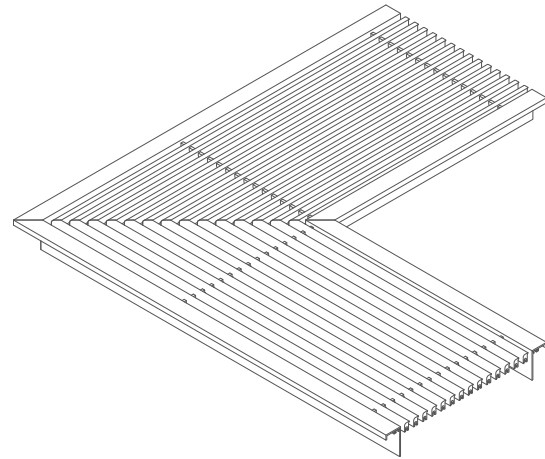
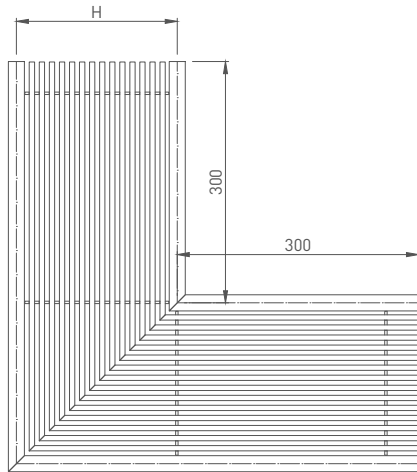


FLOOR GRILLE WITH ALUMINIUM BARS

AK700 AK720

INTERMEDIATE PIECE AND END PIECE

AK720C



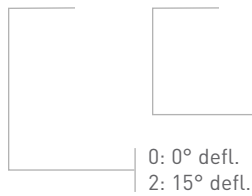
HOW TO ORDER

A K 7 0 0 C -

0 3 0 0

CORNER PIECE, H = 200 MM

0 2 0 0



C: corner section 0° deflection or 15° inwards
D: corner section 0° deflection or 15° outwards

Standard inner size corner

H

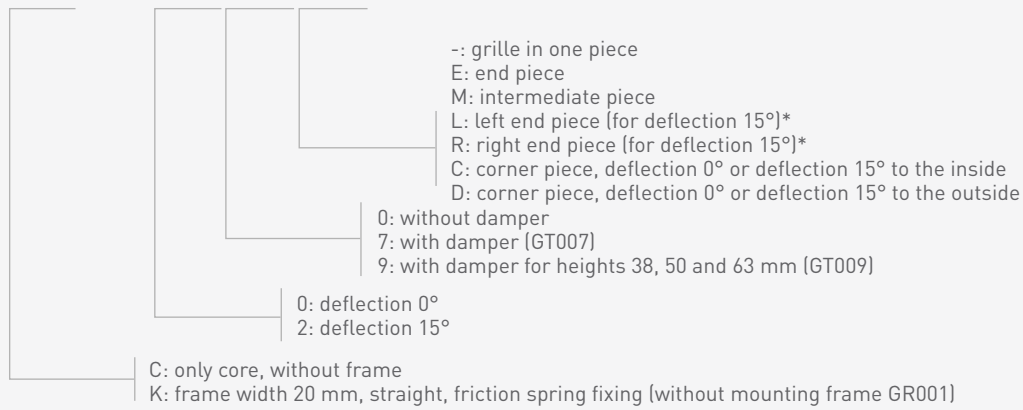
i The corner sections are being manufactured in one piece with an inner dimension of 300 x 300 mm nominal (see drawing).
The corner sections are standard 90°.

ORDER CODE

A	K	7	0	7	-	-	0	6	0	0	0	2	0	0
---	---	---	---	---	---	---	---	---	---	---	---	---	---	---

L

H



* NOTE: L(left) and R(right) are determined by looking at the face of the grille with the bars having a downward deflection

