

LT350

DRUM SLOT DIFFUSER





CEILING

LINEAR THROW

ADJUSTABLE

DRUM SLOT DIFFUSER

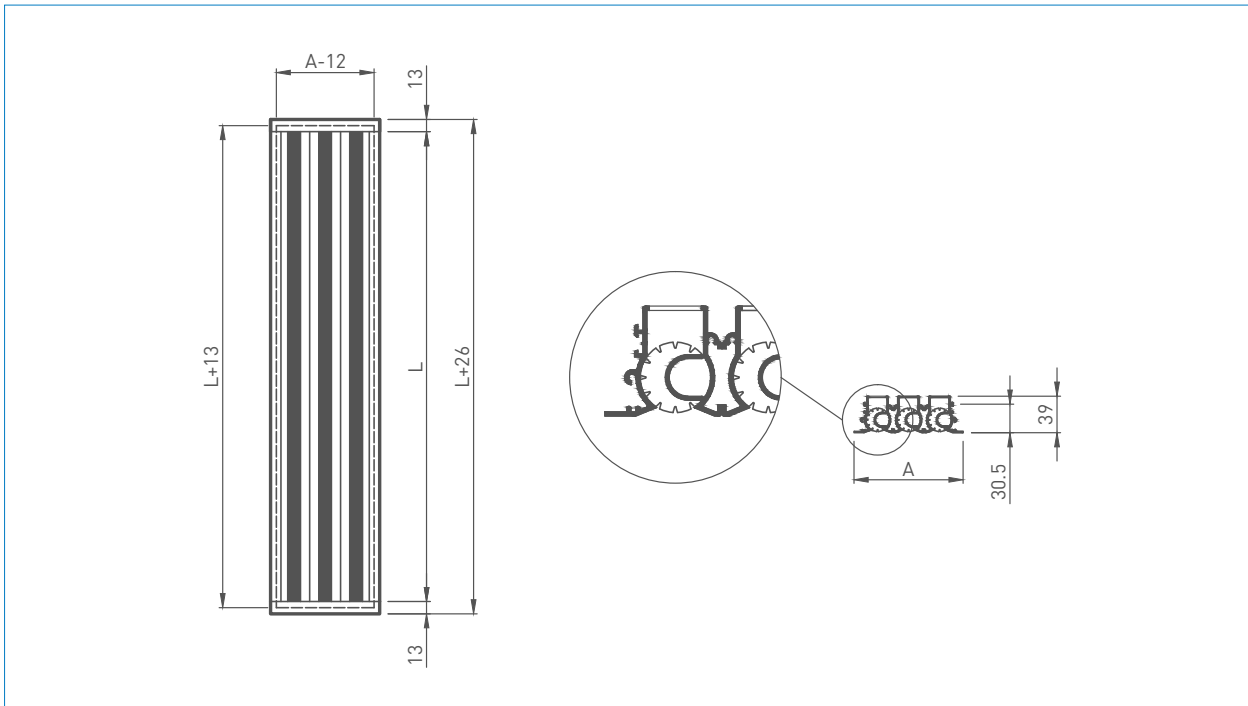
Aluminium ceiling slot diffuser with flange, with linear air pattern and adjustable drums to supply air into the room. Drum slot diffuser for high performances with unique capacity up to 4 slots.



TECHNICAL DETAILS

APPLICATION	Product	LT350
	Airflow direction	Adjustable
	Airflow type	Supply
	Installation height	2,6 > 4m
CONSTRUCTION	Core, shape	Line
	Core, deflection	0 to 180°
	Core, suspension	Turnable
	Core, heart distance	35 mm
	Core, construction	Drums, length 150mm
	Min. length	300 mm
	Max. length	2000 mm
	Available steps	1 mm
MATERIAL	Frame construction	Extrusions
	Standard material	Aluminium
	Add-on material	Drums in ABS
	Product finishing	Painted in a RAL-colour or anodised
	Add-on finishing	Drums black (RAL9005) or white (RAL9010)

DRAWING



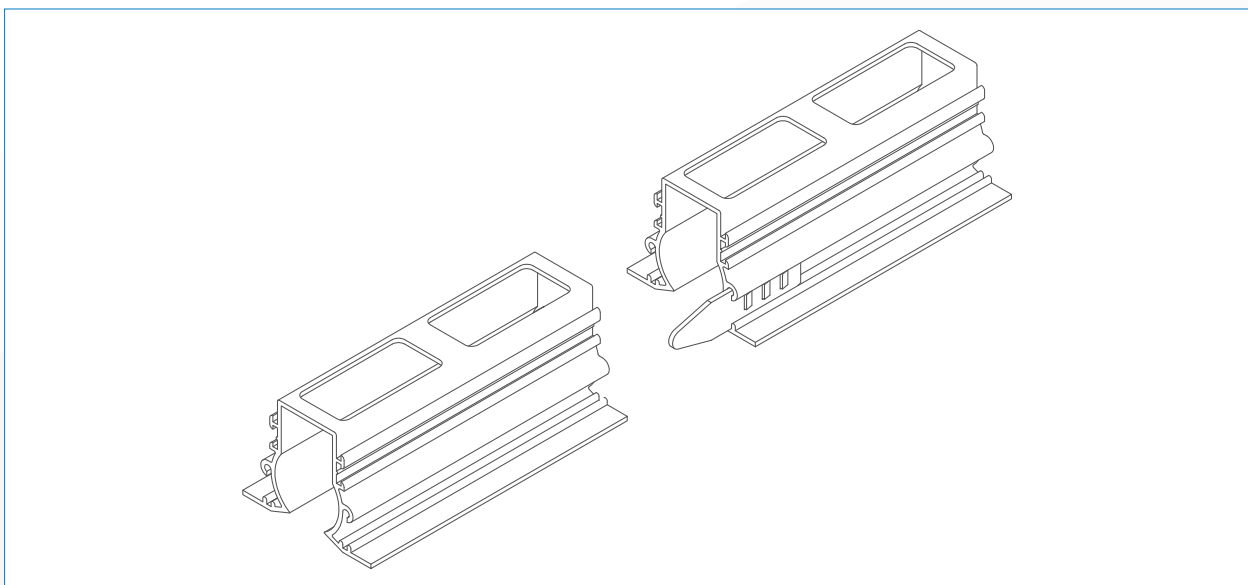
DIMENSIONS

SIZE	A [mm]
1 slot	50
2 slots	83
3 slots	116
4 slots	149

ACCESSORIES

OPTIONAL PLENUM BOX	LP300
	LP400

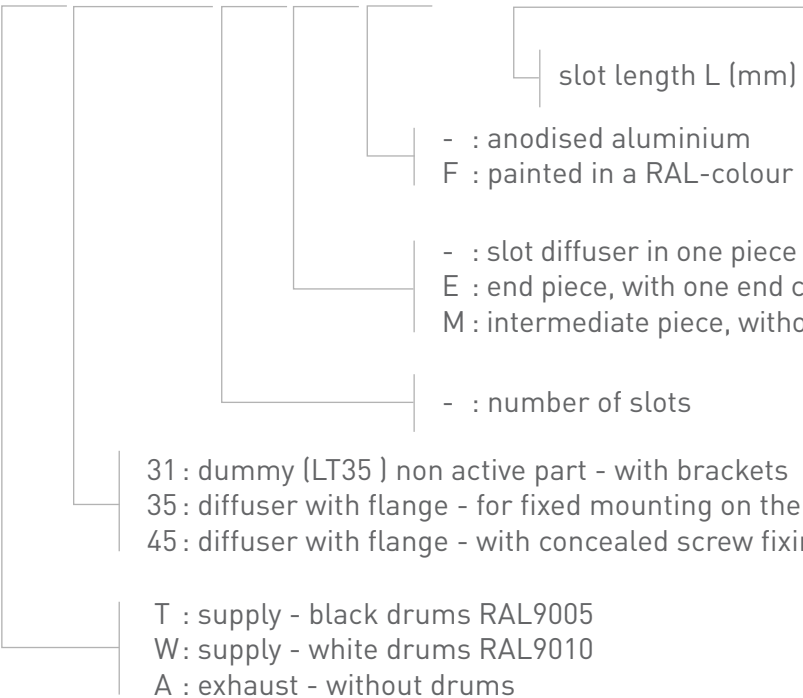
MOUNTING INSTRUCTIONS AND INSTRUCTIONS FOR USE CONNECTION LINEAR GRILLES



Lengths larger than 2000mm are divided in centre-pieces and/or end-pieces which are joined together using connecting pieces.

HOW TO ORDER

L	T	3	5	4	M	F		1	2	0	0		-	-	-	-
---	---	---	---	---	---	---	--	---	---	---	---	--	---	---	---	---



slot length L (mm)

- : anodised aluminium
F : painted in a RAL-colour

- : slot diffuser in one piece with end caps on both sides
E : end piece, with one end cap
M : intermediate piece, without end caps

- : number of slots

31 : dummy (LT35) non active part - with brackets
35 : diffuser with flange - for fixed mounting on the plenum box
45 : diffuser with flange - with concealed screw fixing

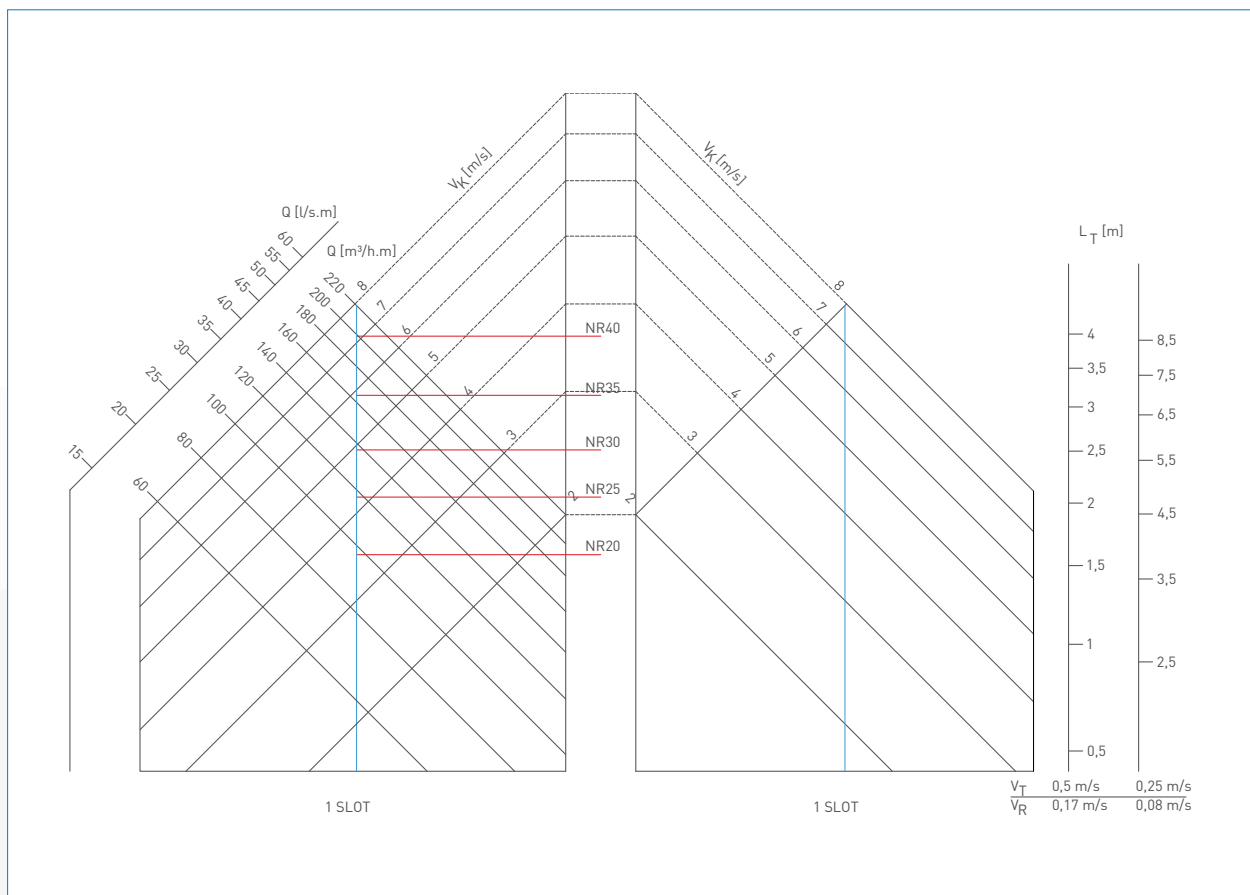
T : supply - black drums RAL9005
W : supply - white drums RAL9010
A : exhaust - without drums

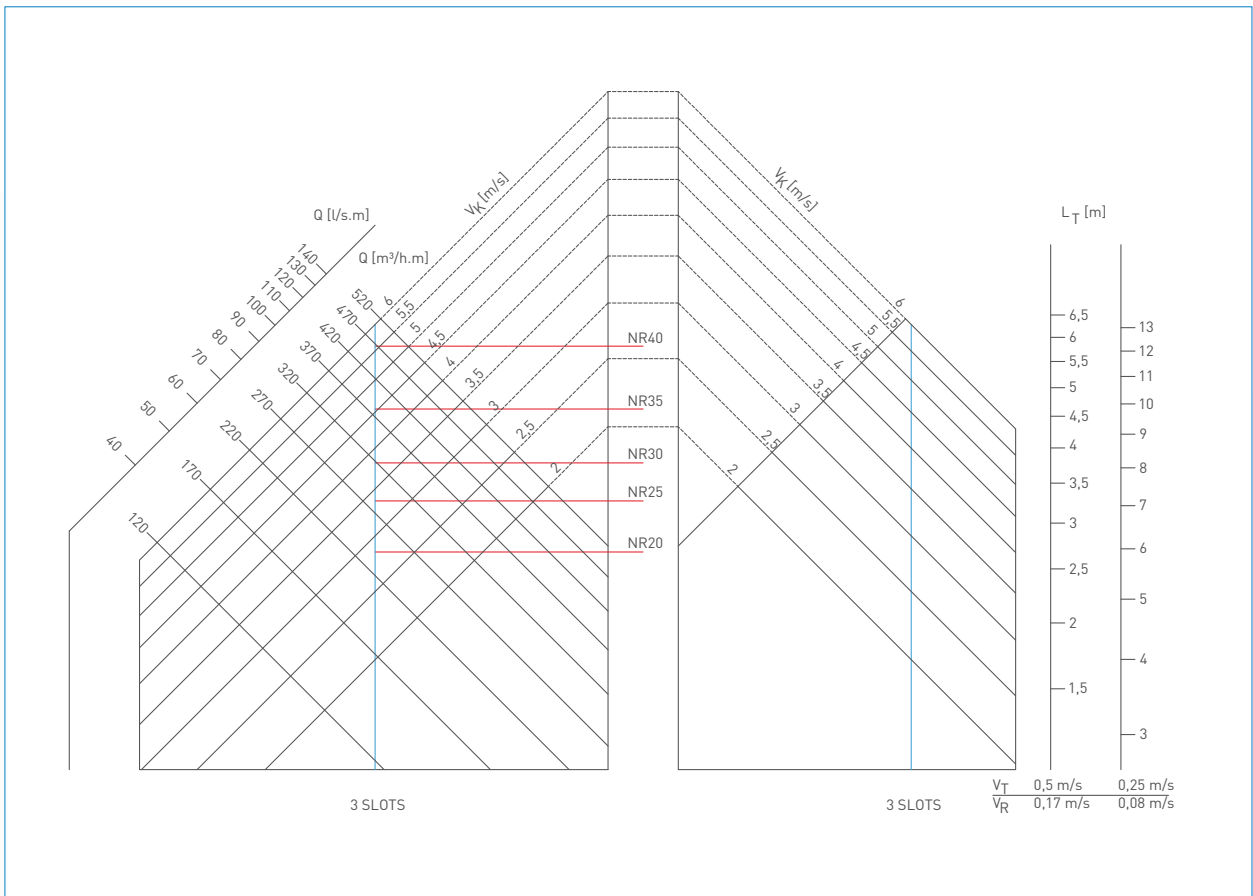
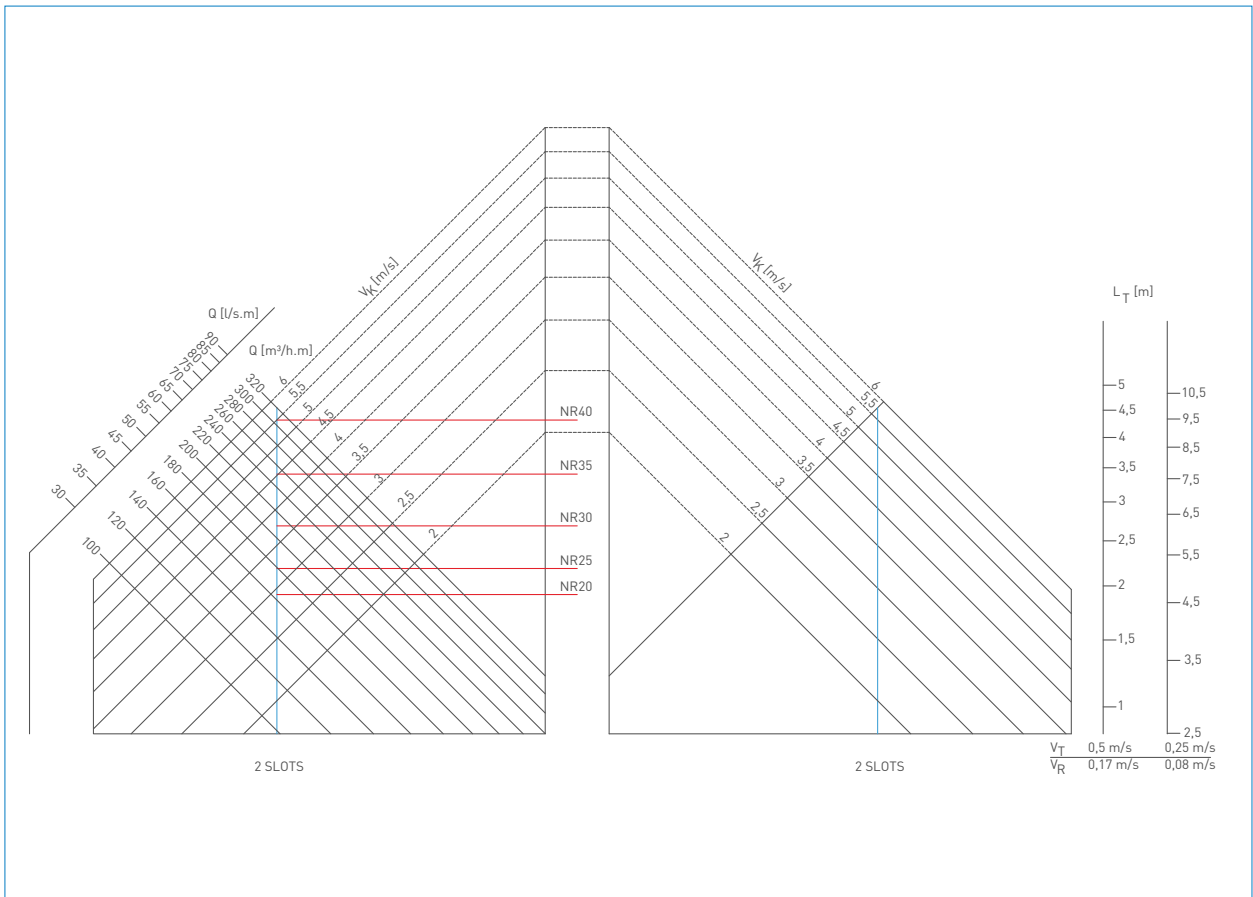
Ak-VALUES

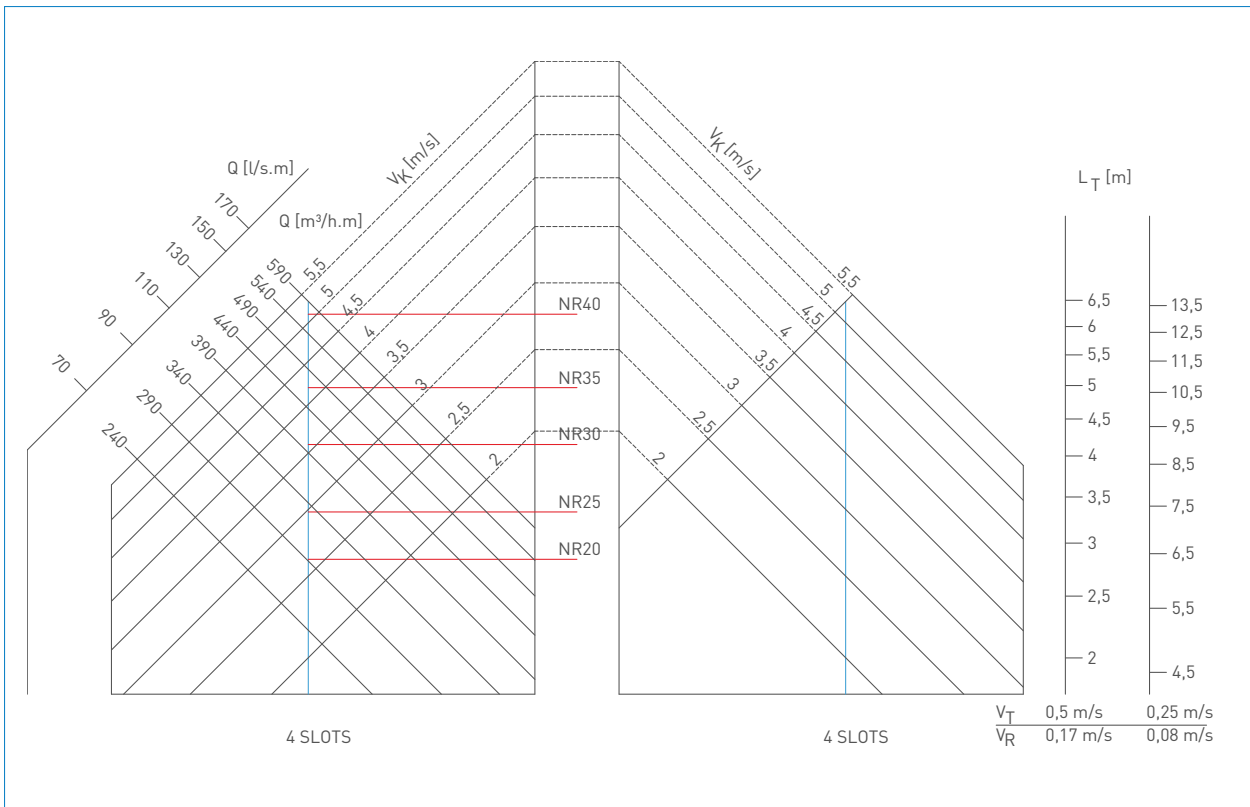
SIZE	Ak [m ² /m]
1 slot	0,008
2 slots	0,015
3 slots	0,023
4 slots	0,031

SELECTION DIAGRAM

MEASURING CONDITIONS	
Product	LT350
Airflow direction	Horizontal (with influence ceiling)
Airflow type	Non-alternating supply
ΔT	Isotherm
Plenum type	LP300
Position damper	100% open





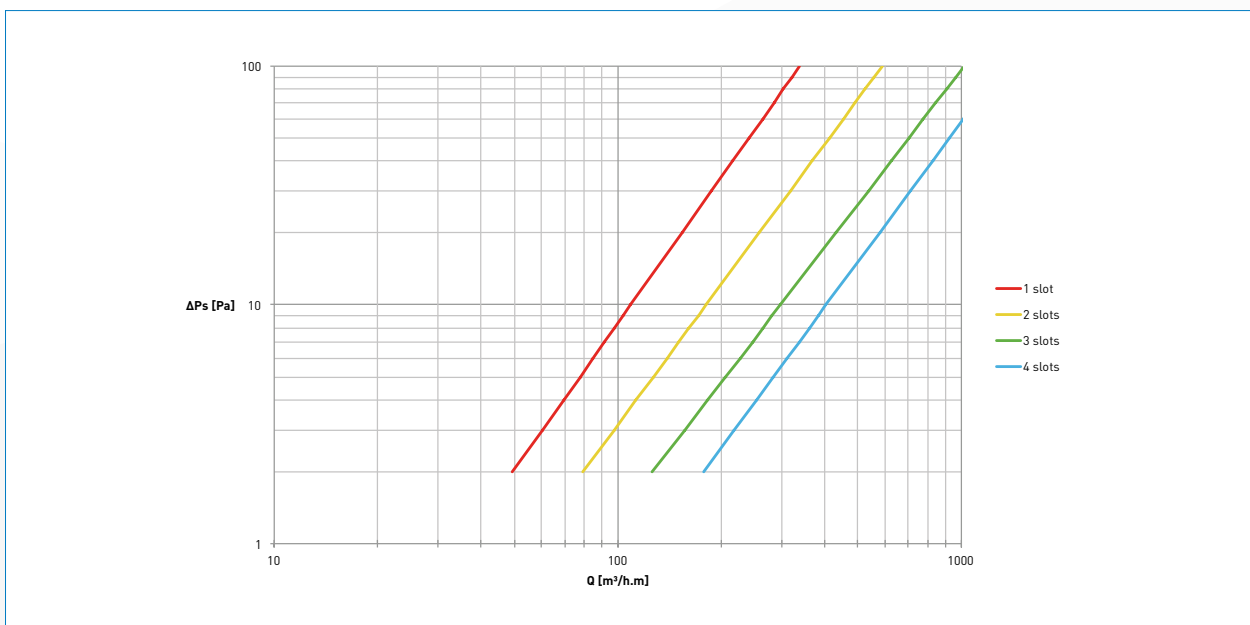


CORRECTION FACTORS

SLOT LENGTH [m]	THROW CORRECTION	NOISE RATING CORRECTION [NR]
1 - 1,5	$L_T \times 1,00$	+0
1,5 - 2	$L_T \times 1,05$	+2
2 - 6,5	$L_T \times 1,10$	+5

For linear slot diffusers

PRESSURE LOSS



GRADA INTERNATIONAL NV
Toekomstlaan 18
B-9160 Lokeren

T: +32 (0)9 340 40 40
F: +32 (0)9 340 40 50

www.grada.com
info@grada.be



GRADA FRANCE
Parc Des Chanteraines
6 rue du cdt d'Estienne D'orves
92390 Villeneuve La Garenne

T: +33 (0)1 46 88 92 92
F: +33 (0)1 46 88 92 99

www.grada.com
gradafrance@gradafrance.com