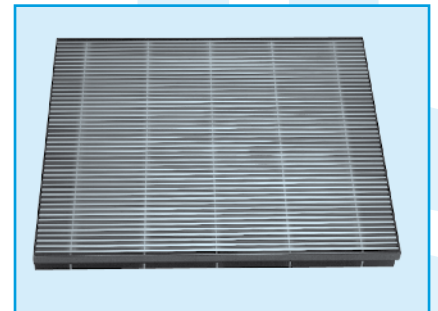
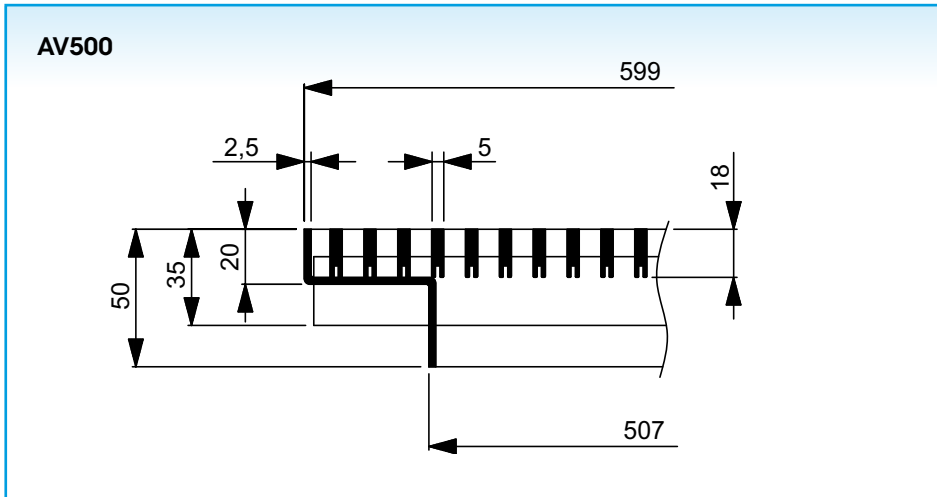


COMPUTER FLOOR GRILLE AV500

Installation dimensions



Application

The grille type AV500 is designed for the supply and exhaust of cooled and heated air in technical or computer rooms. The grille is used with raised 600 x 600 mm modular floor systems and underfloor air distribution network.

Technical information

Characteristics:

- overall size 599 x 599 mm
- straight bars 18 x 5 mm fixed on 5 support bars 25 x 3 mm
- bars on 12,5 mm to centre
- the grille core can be removed
- standard depth = 20 mm (steel supports or adjustable screws can be delivered to suit requested depth)
- specifications: EN13264 - structural classification - Extra Light

Construction:

- steel frame (2,5 mm thickness) painted black (RAL 9005)
- extruded aluminium, satin anodised core
- upon request, both frame and core are available in a black nylon coating to give full electrical isolation where required.

Selection table

Supply				
Air Volume q_v (m ³ /h)	Air velocity v_k (m/s)	Pressure drop Δp_f (Pa)	Throw L_T (m)	Noise level (NR)
325	0,67	1	1,8	≤ 20
650	1,35	3	2,4	≤ 20
720	1,50	4	2,5	≤ 20
975	2,03	5	3,6	23
1300	2,70	8	5,0	26
1625	3,38	13	6,4	28
1950	4,05	19	7,8	30
2275	4,73	25	9,0	31
2600	5,40	32	11,0	34

Exhaust		
Air Volume q_v (m ³ /h)	Pressure drop Δp_f (Pa)	Noise level (NR)
650	2	25
1300	6	27
1950	13	31
2600	22	34
3250	32	36
3900	43	42
4550	51	44
5200	66	47

Specifications description

Example:

Floor grille with steel frame and removable aluminium core for use in computer floors. Complete with damper. The core is satin anodised. The steel frame is painted black (RAL 9005).

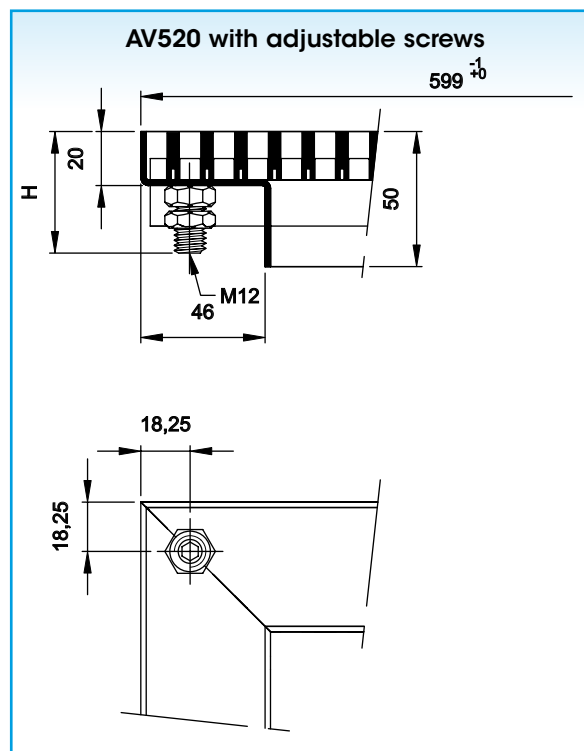
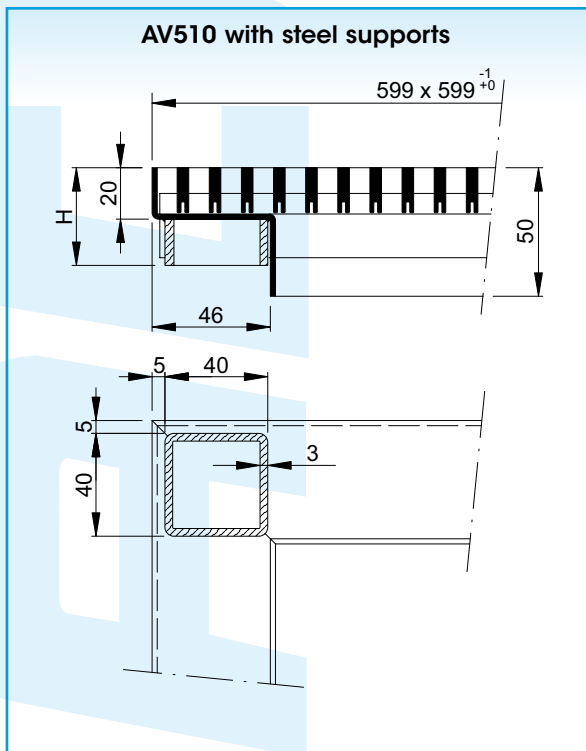
Type: AV500 + GT007
nom. dim. (L x H) ... x ... mm

Accessories

- **GT007:** damper with vertical opposed blades, galvanised steel sheet, painted black (for details see catalogue p. 1 290)
- For depths over 20 mm: steel supports or adjustable screws are available to suit required depth to customer specification

Fixing

Supplied without fixings for lay in application.



How to order

AV500, dimension 600 x 600 mm with damper GT007

A	V	5	0	7	-	-	0	6	0	0	0	6	0	0
							L				H			

0: with bars only
7: with damper
3: with perforated sheet, 40% passage

0: standard depth 20 mm
1: depth > 20 mm, with steel supports
2: depth > 20 mm, with adjustable screws

* **NOTE:** if height is > 20 mm, please mention size H

Delivery possibilities

- **AV500**
Floor grille with straight front bars
- **AV507**
AV500 with damper GT007
- **AV510**
Floor grille with straight front bars like AV500 only provided with steel supports according to the required depth
- **AV517**
AV510, with damper GT007
- **AV520**
Floor grille with straight front bars like AV500 only provided with adjustable screws according to the required depth
- **AV527**
AV520 with damper GT007