

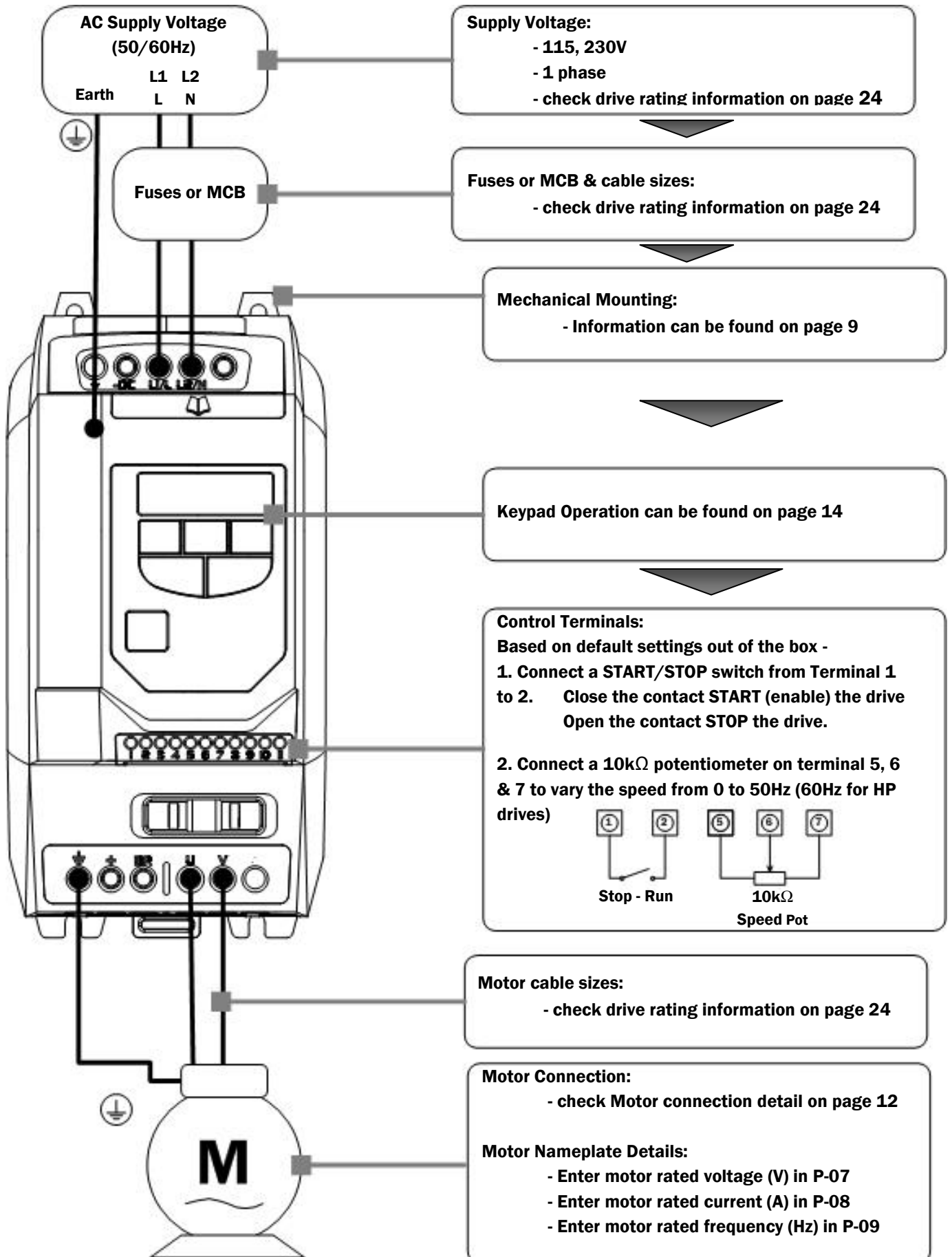


# User Guide

**IP20 & IP66 (NEMA 4X)  
AC Variable Speed Drive  
For Single Phase Motor Control**

**0.37 – 1.1kW (0.5 – 1.5HP)  
110 – 240V**

# IP20 Easy Start-Up Guide



# IP66 Easy Start-Up Guide

Switched Enclosure Variant only:

## Local Speed Potentiometer:

The local speed potentiometer will adjust the output frequency from minimum speed P-02=0Hz to maximum speed P-01=50Hz (60Hz for HP rated drives)

Minimum speed P-02 = 0Hz  
Maximum speed P-01= 50Hz  
(60Hz for HP rated drives)

## Forward Reverse (REV/0/FWD) selector switch.

Based on default settings out of the box  
FWD to run Forward  
0 to STOP (disable the drive)  
REV to run Forward

**NOTE: No reverse function for single phase motors.**

To change behaviour of the drive when the selector switch is set to the (REV) position set parameter value in P-15.

Check page 25 for configuring the FWD/REV switch for Local / Remote (Hand off Auto) applications.

Local Power Isolator with Lock off provision.

Fuses or MCB & cable sizes:  
- check drive rating information on page 24

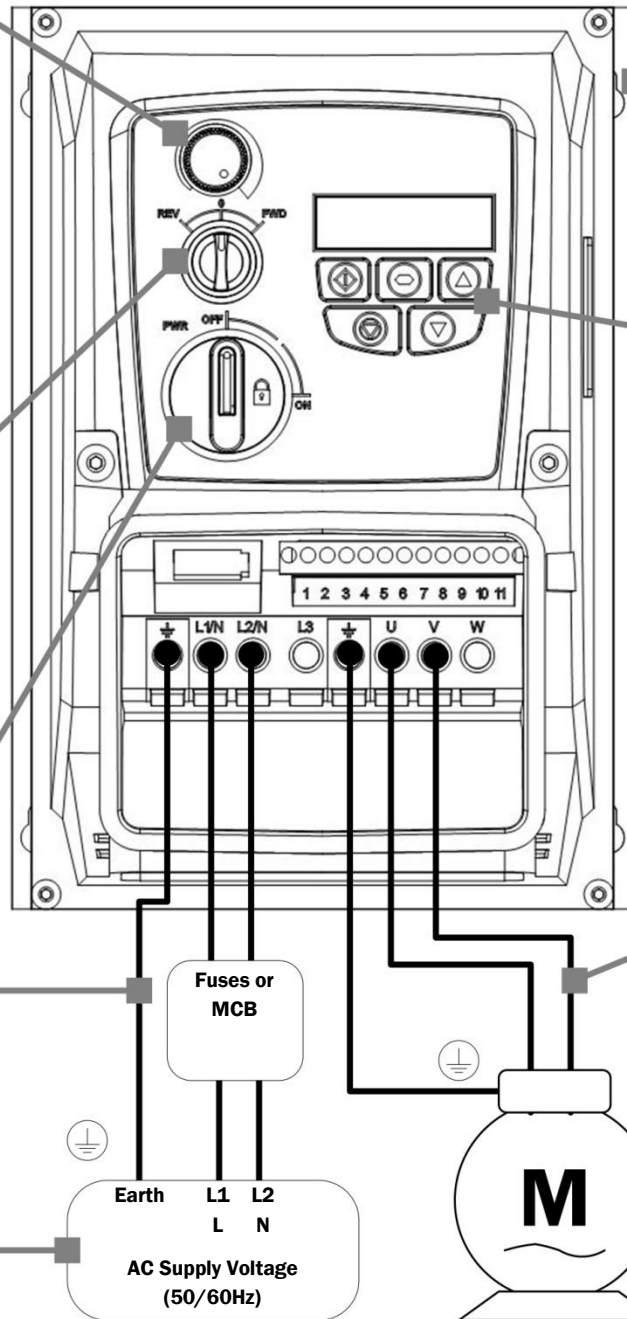
Supply Voltage:  
- 115, 230V  
- 1 or 3 phase  
- check drive rating information on page 24

**Mechanical Mounting:**  
- Information can be found on page 9

**Keypad Operation**  
- Information can be found on page 14

**Motor cable sizes:**  
- check drive rating information on page 24

**Motor Nameplate Details:**  
Enter motor rated voltage (V) in P-07  
Enter motor rated current (A) in P-08  
Enter motor rated frequency (Hz) in P-09



## Declaration of Conformity

The Manufacturer hereby states that the drive product range conforms to the relevant safety provisions of the Low Voltage Directive 2006/95/EC and the EMC Directive 2004/108/EC and has been designed and manufactured in accordance with the following harmonised European standards:

EN 61800-5-1: 2003	Adjustable speed electrical power drive systems. Safety requirements. Electrical, thermal and energy.
EN 61800-3 2 <sup>nd</sup> Ed: 2004	Adjustable speed electrical power drive systems. EMC requirements and specific test methods
EN 55011: 2007	Limits and Methods of measurement of radio disturbance characteristics of industrial, scientific and medical (ISM) radio-frequency equipment (EMC)
EN60529 : 1992	Specifications for degrees of protection provided by enclosures

## Electromagnetic Compatibility (EMC)

All drives are designed to high standards of EMC and is optionally fitted with an internal EMC filter. This EMC filter is designed to reduce the conducted emissions back into the supply via the power cables for compliance with harmonised European standards.

It is the responsibility of the installer to ensure that the equipment or system into which the product is incorporated complies with the EMC legislation of the country of use. Within the European Union, equipment into which this product is incorporated must comply with 89/336/EEC, EMC.

For use on domestic supplies, screened motor cable must be used with the screen terminated to earth on both motor and drive sides. The installation must be carried out by qualified installation engineers, observing good wiring practice such as power and signal cable segregation and correct screening techniques to minimise emissions. When installed in this way, the drive with built-in filter has emission levels lower than those defined in EN61800-3 category C2 for 1<sup>st</sup> environments for screened cable lengths of up to 5m.

For cable lengths above 5m, the emission levels may exceed those defined by EN61800-3 cat C2. In this case, further mitigation methods (such as fitting an external filter) must be employed if the emissions limits are to be upheld.

When used on industrial supplies, or 2<sup>nd</sup> environments, the installation must be carried out by qualified installation engineers, observing good wiring practice such as power and signal cable segregation and correct screening techniques to minimise emissions. The emissions limits defined by EN61800-3 cat C3 (2<sup>nd</sup> environment) are upheld for screened cable lengths of up to 25m. The cable screen should be connected to earth on both the drive and motor sides.

## Manufacturer Copyright © 2011

All rights reserved. No part of this User Guide may be reproduced or transmitted in any form or by any means, electrical or mechanical including photocopying, recording or by any information storage or retrieval system without permission in writing from the publisher.

All drive units carry a warranty against manufacturing defects. Please contact your local drive sales partner for information regarding the warranty period provided for your product. The manufacturer accepts no liability for any damage caused during or resulting from transport, receipt of delivery, installation or commissioning. The manufacturer also accepts no liability for damage or consequences resulting from inappropriate, negligent or incorrect installation, incorrect adjustment of the operating parameters of the drive, incorrect matching of the drive to the motor, incorrect installation, unacceptable dust, moisture, corrosive substances, excessive vibration or ambient temperatures outside of the design specification.

The local distributor may offer different terms and conditions at their discretion, and in all cases concerning warranty, the local distributor should be contacted first.

The contents of this User Guide are believed to be correct at the time of printing. In the interest of a commitment to a policy of continuous improvement, the manufacturer reserves the right to change the specification of the product or its performance or the contents of the User Guide without notice.

**This User Guide is for use with version 1.03 Software.**

**User Guide Revision 1.00**





The manufacturer adopts a policy of continuous improvement and whilst every effort has been made to provide accurate and up to date information, the information contained in this User Guide should be used for guidance purposes only and does not form the part of any contract.

<b>1. Introduction</b>	<b>6</b>
1.1. Important Safety Information	6
<b>2. General Information and Ratings</b>	<b>7</b>
2.1. Identifying the Drive by Model Number	7
2.2. Drive Model Numbers	7
<b>3. Mechanical Installation</b>	<b>8</b>
3.1. General	8
3.2. Mechanical Dimensions and Mounting – IP20 Units	8
3.3. Mechanical Dimensions – IP66 (Nema 4X) Enclosed Units	8
3.4. Guidelines for Enclosure Mounting IP20 Units	9
3.5. Guidelines for Enclosure Mounting IP66 (Nema 4X) Units	9
<b>4. Power Wiring</b>	<b>10</b>
4.1. Grounding the Drive	10
4.2. Wiring Precautions	11
4.3. Connection Diagram – IP20 Open & IP66 (Nema 4X) Non Switched Units	11
4.4. Connection Diagram – IP66 (Nema 4X) Switched Units	11
4.5. Drive & Motor Connections	12
4.6. IP66 (Nema 4X) Gland Plate	12
<b>5. Control Wiring</b>	<b>13</b>
5.1. Control Terminal Connections	13
5.2. RJ45 Data Connection	13
<b>6. Operation</b>	<b>14</b>
6.1. Managing the Keypad	14
6.2. Terminal Control	14
6.3. Keypad Control	14
<b>7. Parameters</b>	<b>16</b>
7.1. Standard Parameters	16
7.2. Extended Parameters	17
7.3. Adjusting the Voltage / Frequency (V/f) characteristics	19
7.4. Boost Starting cycle	20
7.5. P-00 Read Only Status Parameters	20
<b>8. Analog and Digital Input Configurations</b>	<b>21</b>
8.1. Terminal Mode (P-12 = 0)	21
8.2. Keypad Mode (P-12 = 1 or 2)	22
8.3. Modbus Control Mode (P-12 = 3 or 4)	22
8.4. User PI Control Mode	23
8.5. Motor Thermistor Connection	23
<b>9. Technical Data</b>	<b>24</b>
9.1. Environmental	24
9.2. Rating Tables	24
9.3. Maximum Supply Rating for UL Compliance	24
<b>10. Additional Information – IP66 Enclosed Units</b>	<b>25</b>
10.1. IP66 (Nema 4X) Lock Off (Switched units only)	25
10.2. Removing the Terminal Cover	25
10.3. Using the REV/0/FWD Selector Switch (Switched Version Only)	26
10.4. IP66 (Nema 4X) Enclosure Layout	27
<b>11. Trouble Shooting</b>	<b>28</b>
11.1. Fault Code Messages	28

# 1. Introduction

## 1.1. Important Safety Information

Please read the IMPORTANT SAFETY INFORMATION below, and all Warning and Caution information elsewhere.

	<b>Danger : Indicates a risk of electric shock, which, if not avoided, could result in damage to the equipment and possible injury or death.</b>		<b>Danger : Indicates a potentially hazardous situation other than electrical, which if not avoided, could result in damage to property.</b>
	<p>This variable speed drive product is intended for professional incorporation into complete equipment or systems as part of a fixed installation. If installed incorrectly it may present a safety hazard. The drive uses high voltages and currents, carries a high level of stored electrical energy, and is used to control mechanical plant that may cause injury. Close attention is required to system design and electrical installation to avoid hazards in either normal operation or in the event of equipment malfunction. Only qualified electricians are allowed to install and maintain this product.</p> <p>System design, installation, commissioning and maintenance must be carried out only by personnel who have the necessary training and experience. They must carefully read this safety information and the instructions in this Guide and follow all information regarding transport, storage, installation and use of the drive, including the specified environmental limitations.</p> <p>Do not perform any flash test or voltage withstand test on the drive. Any electrical measurements required should be carried out with the drive disconnected.</p> <p>Electric shock hazard! Disconnect and ISOLATE the drive before attempting any work on it. High voltages are present at the terminals and within the drive for up to 10 minutes after disconnection of the electrical supply. Always ensure by using a suitable multimeter that no voltage is present on any drive power terminals prior to commencing any work.</p> <p>Where supply to the drive is through a plug and socket connector, do not disconnect until 10 minutes have elapsed after turning off the supply.</p> <p>Ensure correct earthing connections. The earth cable must be sufficient to carry the maximum supply fault current which normally will be limited by the fuses or MCB. Suitably rated fuses or MCB should be fitted in the mains supply to the drive, according to any local legislation or codes.</p> <p>Do not carry out any work on the drive control cables whilst power is applied to the drive or to the external control circuits.</p>		
	<p>Within the European Union, all machinery in which this product is used must comply with Directive 98/37/EC, Safety of Machinery. In particular, the machine manufacturer is responsible for providing a main switch and ensuring the electrical equipment complies with EN60204-1.</p> <p>The level of integrity offered by the drive control input functions – for example stop/start, forward and maximum speed, is not sufficient for use in safety-critical applications without independent channels of protection. All applications where malfunction could cause injury or loss of life must be subject to a risk assessment and further protection provided where needed.</p> <p>The driven motor can start at power up if the enable input signal is present.</p> <p>The STOP function does not remove potentially lethal high voltages. ISOLATE the drive and wait 10 minutes before starting any work on it. Never carry out any work on the Drive, Motor or Motor cable whilst the input power is still applied.</p> <p>The drive can be programmed to operate the driven motor at speeds above or below the speed achieved when connecting the motor directly to the mains supply. Obtain confirmation from the manufacturers of the motor and the driven machine about suitability for operation over the intended speed range prior to machine start up.</p> <p>Do not activate the automatic fault reset function on any systems whereby this may cause a potentially dangerous situation.</p> <p>The drive has an Ingress Protection rating of IP20 or IP66 depending on the model. IP20 units must be installed in a suitable enclosure.</p> <p>Drives are intended for indoor use only.</p> <p>When mounting the drive, ensure that sufficient cooling is provided. Do not carry out drilling operations with the drive in place, dust and swarf from drilling may lead to damage.</p> <p>The entry of conductive or flammable foreign bodies should be prevented. Flammable material should not be placed close to the drive</p> <p>Relative humidity must be less than 95% (non-condensing).</p> <p>Ensure that the supply voltage, frequency and single phase input correspond to the rating of the drive as delivered.</p> <p>Never connect the mains power supply to the Output terminals U, V, W.</p> <p>Do not install any type of automatic switchgear between the drive and the motor</p> <p>Wherever control cabling is close to power cabling, maintain a minimum separation of 100 mm and arrange crossings at 90 degrees</p> <p>Ensure that all terminals are tightened to the appropriate torque setting</p> <p>Do not attempt to carry out any repair of the drive. In the case of suspected fault or malfunction, contact your local Drives Sales Partner for further assistance.</p>		

## 2. General Information and Ratings

This chapter contains information about the drive including how to identify the drive

### 2.1. Identifying the Drive by Model Number

Each drive can be identified by its model number, as shown in the table below. The model number is on the shipping label and the drive nameplate. The model number includes the drive and any options.

<b>Model Number</b>	FI	-	E	1	1	043	E	2	
Product FI = Frequency Inverter									Enclosure Type 2 = IP20 6 = IP66
Controls S = Built in Switches / Pot - = External Controls									Filter - = Without EMC Filter E = With EMC Filter
Series E = E2 Series									Current Rating Format 00.0 (i.e. 043 = 4.3A)
Input Phases / Voltages 1 : 1 * 230 Vac 3 : 3 * 230 Vac 4 : 3 * 400 Vac									Output Phases / Voltages 1 : 1 * 230 Vac

### 2.2. Drive Model Numbers

#### IP20 Drives

200-240V ±10% - 1 Phase Input				
kW Model Number		kW	Output Current (A)	Frame Size
With Filter	Without Filter			
FI-E11043E2	FI-E11043-2	0.37	4.3	1
FI-E11070E2	FI-E11070-2	0.75	7	1
FI-E11105E2	FI-E11105-2	1.1	10.5	2

#### IP66 (NEMA 4X) Drives

200-240V ±10% - 1 Phase Input				
kW Model Number		kW	Output Current (A)	Frame Size
With Filter	Without Filter			
FISE11043E6	FISE11043-6	0.37	4.3	1
FISE11070E6	FISE11070-6	0.75	7	1
FISE11105E6	FISE11105-6	1.1	10.5	2

#### NOTE

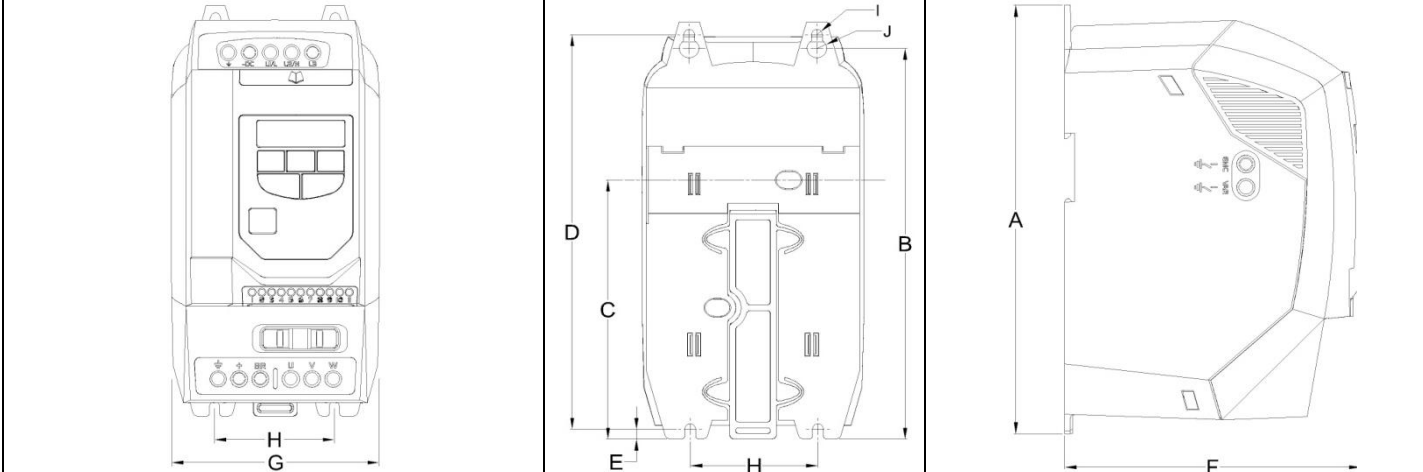
For IP66 with switches (**SWITCHED**) change the # for a "Y" at the end of the product code  
For IP66 without switches (**NON-SWITCHED**) change the # for a "X" at the end of the product code

### 3. Mechanical Installation

#### 3.1. General

- Carefully Unpack the drive and check for any signs of damage. Notify the shipper immediately if any exist.
- Check the drive rating label to ensure it is of the correct type and power requirements for the application.
- Store the drive in its box until required. Storage should be clean and dry and within the temperature range  $-40^{\circ}\text{C}$  to  $+60^{\circ}\text{C}$
- The drive should be mounted in a vertical position only on a flat, flame resistant vibration free mounting using the integral holes.
- The drive must be installed in a pollution degree 1 or 2 environment only.
- Do not mount flammable material close to the drive
- Ensure that the minimum cooling air gaps, as detailed in sections 3.4 and 3.5 are left clear
- Ensure that the ambient temperature range does not exceed the permissible limits for the drive given in section 9.1
- Provide suitable clean, moisture and contaminant free cooling air sufficient to fulfil the cooling requirements of the drive according to sections 3.4 and 3.5.

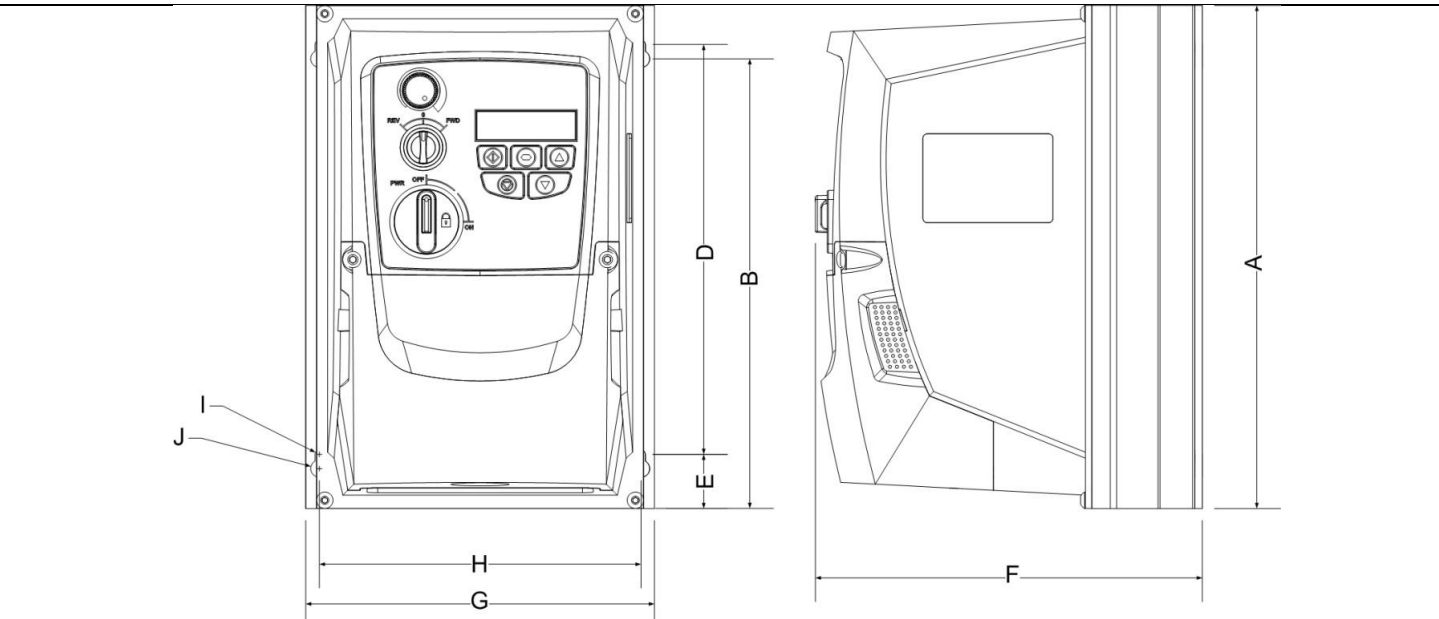
#### 3.2. Mechanical Dimensions and Mounting – IP20 Units



Drive Size	A		B		C		D		E		F		G		H		I		J	
	mm	in	mm	in	mm	in	mm	in	mm	in	mm	in	mm	in	mm	in	mm	in	mm	in
1	173	6.81	160	6.30	109	4.29	162	6.38	5	0.20	123	4.84	82	3.23	50	1.97	5.5	0.22	10	0.39
2	221	8.70	207	8.15	137	5.39	209	8.23	5.3	0.21	150	5.91	109	4.29	63	2.48	5.5	0.22	10	0.39

**NOTE** Control Terminal Torque Settings of 0.5 Nm (4.5 lb-in)  
Power Terminal Torque Settings of 1 Nm (9 lb-in)

#### 3.3. Mechanical Dimensions – IP66 (Nema 4X) Enclosed Units



Drive Size	A		B		D		E		F		G		H		I		J	
	mm	in	mm	in	mm	in	mm	in	mm	in	mm	in	mm	in	mm	in	mm	in
1	232.0	9.13	207.0	8.15	189.0	7.44	25.0	0.98	179.0	7.05	161.0	6.34	148.5	5.85	4.0	0.16	8.0	0.31
2	257.0	10.12	220.0	8.67	200.0	7.87	28.5	1.12	186.5	7.34	188.0	7.40	176.0	6.93	4.2	0.17	8.5	0.33

**NOTE** Control Terminal Torque Settings of 0.5 Nm (4.5 lb-in)  
Power Terminal Torque Settings of 1 Nm (9 lb-in)



### 3.4. Guidelines for Enclosure Mounting IP20 Units

- Installation should be in a suitable enclosure, according to EN60529 or other relevant local codes or standards.
- Enclosures should be made from a thermally conductive material.
- Where vented enclosures are used, there should be venting above the drive and below the drive to ensure good air circulation – see the diagram below. Air should be drawn in below the drive and expelled above the drive.
- In any environments where the conditions require it, the enclosure must be designed to protect the drive against ingress of airborne dust, corrosive gases or liquids, conductive contaminants (such as condensation, carbon dust, and metallic particles) and sprays or splashing water from all directions.
- High moisture, salt or chemical content environments should use a suitably sealed (non-vented) enclosure.

The enclosure design and layout should ensure that the adequate ventilation paths and clearances are left to allow air to circulate through the drive heatsink. The drive manufacturer recommend the following minimum sizes for drives mounted in non-ventilated metallic enclosures:-

Drive Size	X Above & Below		Y Either Side		Z Between		Recommended airflow CFM (ft <sup>3</sup> /min)
	mm	in	mm	in	mm	in	
2	75	2.95	50	1.97	46	1.81	11
3	100	3.94	50	1.97	52	2.05	26

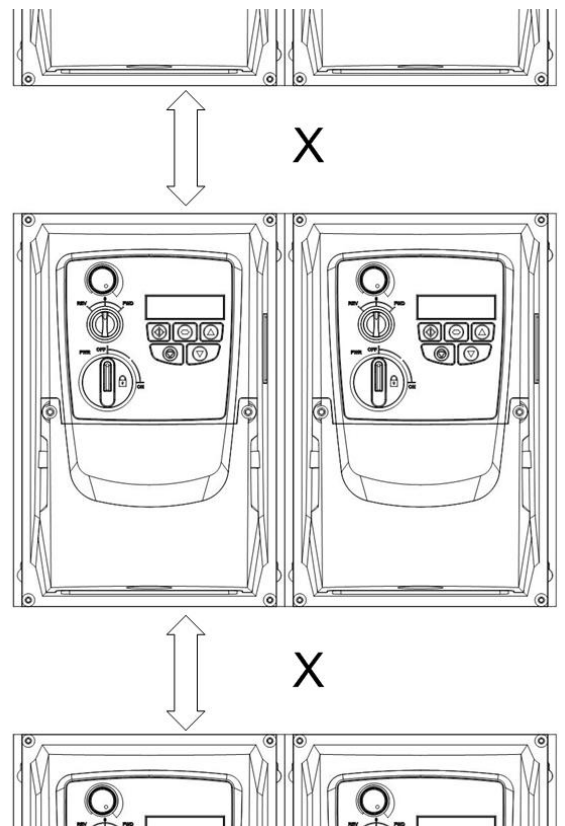
**Note :**  
Dimension Z assumes that the drives are mounted side-by-side with no clearance.

Typical drive heat losses are 3% of operating load conditions.

Above are guidelines only and the operating ambient temperature of the drive **MUST** be maintained at all times.

### 3.5. Guidelines for Enclosure Mounting IP66 (Nema 4X) Units

- Before mounting the drive, ensure that the chosen location meets the environmental condition requirements for the drive shown in section 9.1
- The drive must be mounted vertically, on a suitable flat surface
- The minimum mounting clearances as shown in the table below must be observed
- The mounting site and chosen mountings should be sufficient to support the weight of the drives
- The Enclosed drives can be installed side-by-side with their heatsink flanges touching. This gives adequate ventilation space between drives.
- If the drive is to be installed above another drive or any other heat-producing device, the minimum vertical spacing (X) is 150mm (5.9 inches) above and below.



## 4. Power Wiring

### 4.1. Grounding the Drive



This manual is intended as a guide for proper installation. The manufacturer cannot assume responsibility for the compliance or the non-compliance to any code, national, local or otherwise, for the proper installation of this drive or associated equipment. A hazard of personal injury and/or equipment damage exists if codes are ignored during installation.



This drive contains high voltage capacitors that take time to discharge after removal of the main supply. Before working on the drive, ensure isolation of the main supply from line inputs. Wait ten (10) minutes for the capacitors to discharge to safe voltage levels. Failure to observe this precaution could result in severe bodily injury or loss of life.



Only qualified electrical personnel familiar with the construction and operation of this equipment and the hazards involved should install, adjust, operate, or service this equipment. Read and understand this manual and other applicable manuals in their entirety before proceeding. Failure to observe this precaution could result in severe bodily injury or loss of life.

#### Grounding Guidelines

The ground terminal of each drive should be individually connected DIRECTLY to the site ground bus bar (through the filter if installed). Drive ground connections should not loop from one drive to another, or to, or from any other equipment. Ground loop impedance must conform to local industrial safety regulations. To meet UL regulations, UL approved ring crimp terminals should be used for all ground wiring connections. The drive Safety Ground must be connected to system ground. Ground impedance must conform to the requirements of national and local industrial safety regulations and/or electrical codes. The integrity of all ground connections should be checked periodically.

#### Protective Earth Conductor

The Cross sectional area of the PE Conductor must be at least equal to that of the incoming supply conductor.

#### Safety Ground

This is the safety ground for the drive that is required by code. One of these points must be connected to adjacent building steel (girder, joist), a floor ground rod, or bus bar. Grounding points must comply with national and local industrial safety regulations and/or electrical codes.

#### Motor Ground

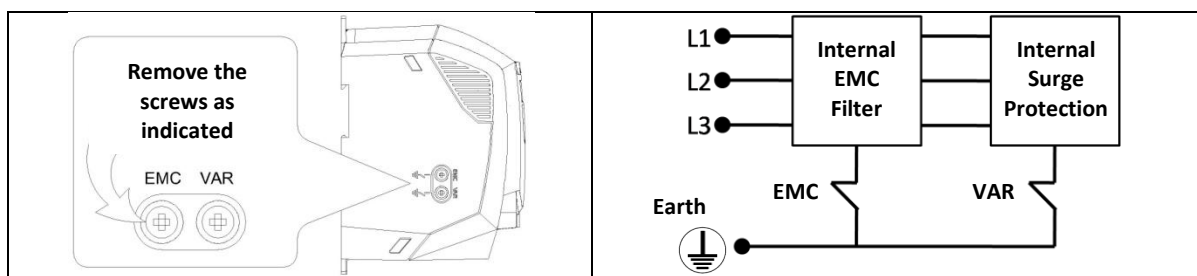
The motor ground must be connected to one of the ground terminals on the drive.

#### Ground Fault Monitoring

As with all inverters, a leakage current to earth can exist. The drive is designed to produce the minimum possible leakage current whilst complying with worldwide standards. The level of current is affected by motor cable length and type, the effective switching frequency, the earth connections used and the type of RFI filter installed. If an ELCB (Earth Leakage Circuit Breaker) is to be used, the following conditions apply: -

- A Type B Device must be used
- The device must be suitable for protecting equipment with a DC component in the leakage current
- Individual ELCBs should be used for each drive

Drives with an EMC filter have an inherently higher leakage current to Ground (Earth). For applications where tripping occurs the EMC filter can be disconnected (on IP20 units only) by removing the EMC screw on the side of the product.



The drive product range has input supply voltage surge suppression components fitted to protect the drive from line voltage transients, typically originating from lightning strikes or switching of high power equipment on the same supply.

When carrying out a HiPot (Flash) test on an installation in which the drive is built, the voltage surge suppression components may cause the test to fail. To accommodate this type of system HiPot test, the voltage surge suppression components can be disconnected by removing the VAR screw. After completing the HiPot test, the screw should be replaced and the HiPot test repeated. The test should then fail, indicating that the voltage surge suppression components are once again in circuit.

#### Shield Termination (Cable Screen)

The safety ground terminal provides a grounding point for the motor cable shield. The motor cable shield connected to this terminal (drive end) should also be connected to the motor frame (motor end). Use a shield terminating or EMI clamp to connect the shield to the safety ground terminal.

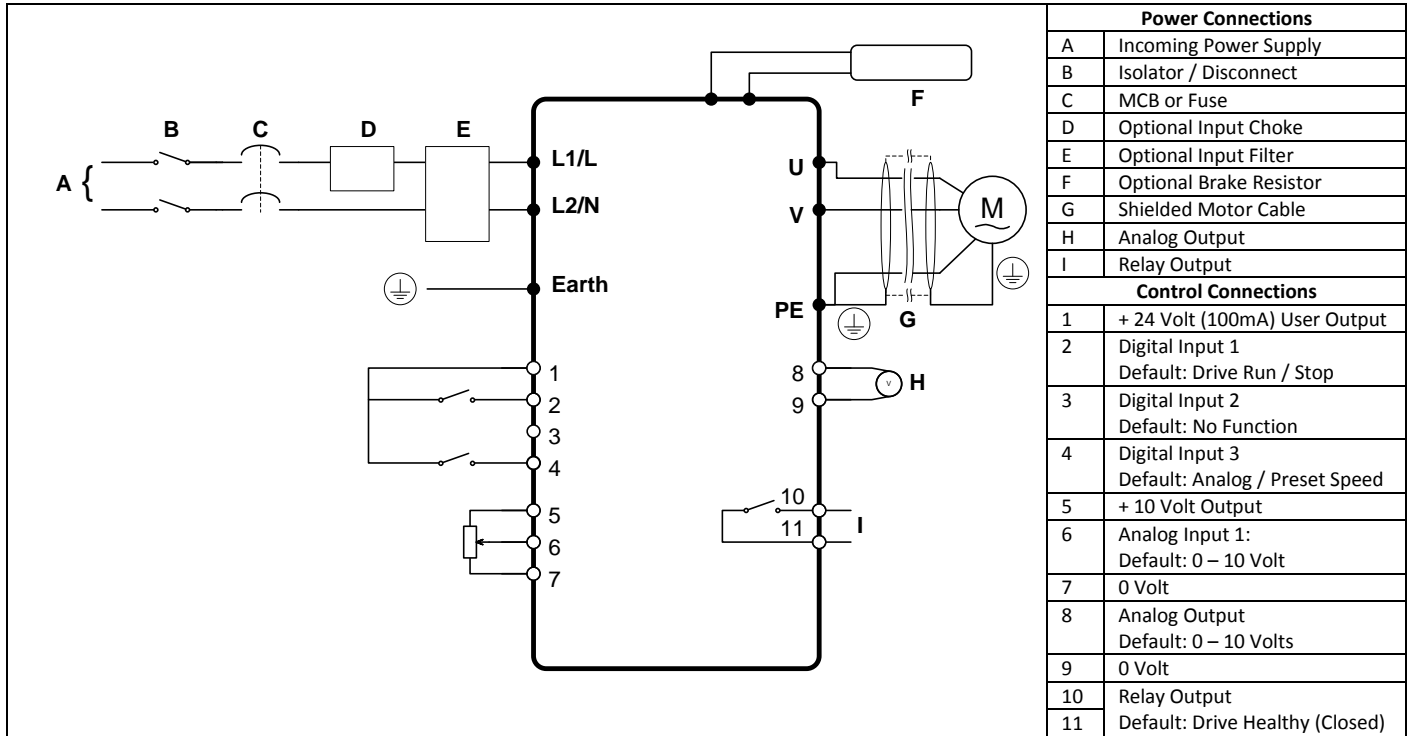
## 4.2. Wiring Precautions

Connect the drive according to sections 4.3 / 4.4 and 5.1, ensuring that motor terminal box connections are correct. It is essential to ensure that the motor is connected in accordance with the voltage at which it will operate. For more information refer to section 4.5 Drive and Motor connections.

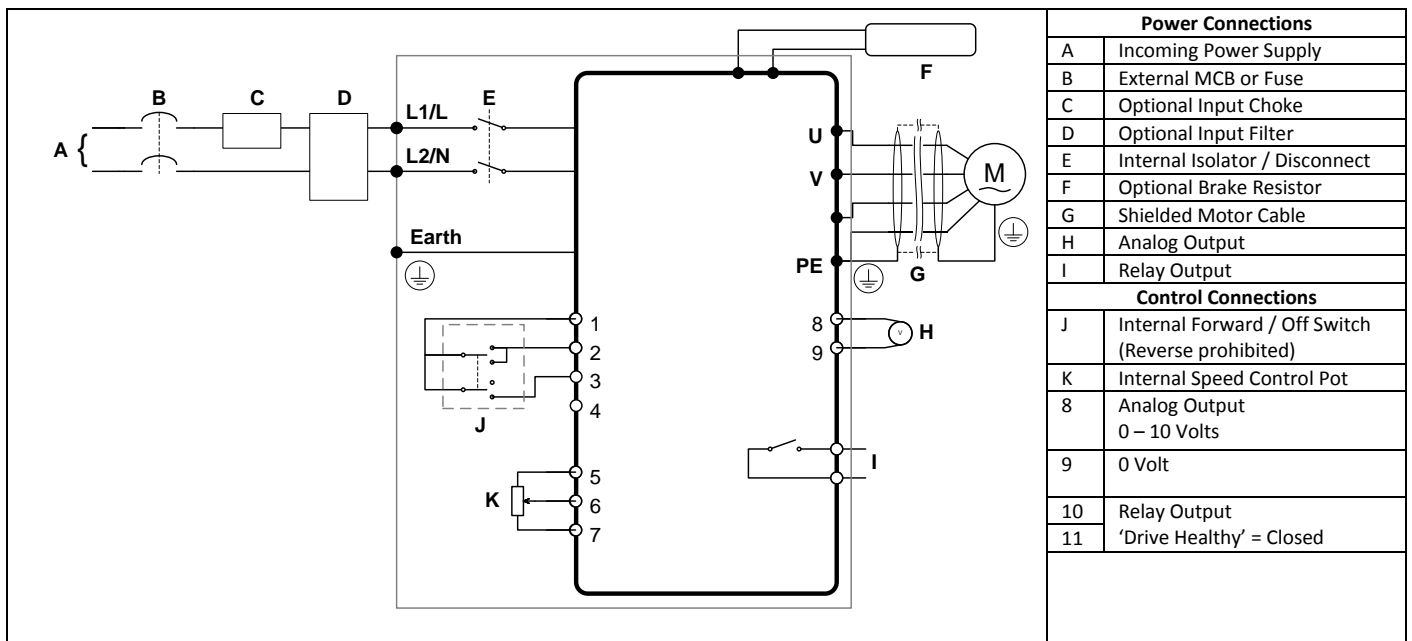
For recommended cabling and wiring sizing, refer to section 9.2 Rating Tables

It is recommended that the power cabling should be 3-core PVC-insulated screened cable, laid in accordance with local industrial regulations and codes of practice.

## 4.3. Connection Diagram – IP20 Open & IP66 (Nema 4X) Non Switched Units



## 4.4. Connection Diagram – IP66 (Nema 4X) Switched Units



#### 4.5. Drive & Motor Connections

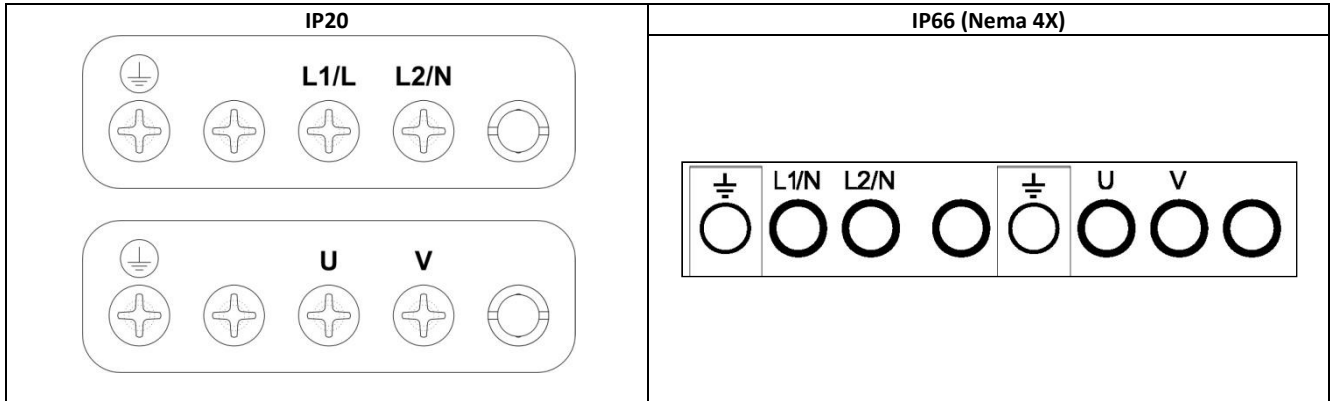
For 1 phase supply power should be connected to L1/L, L2/N.

The Motor should be connected to U and V.

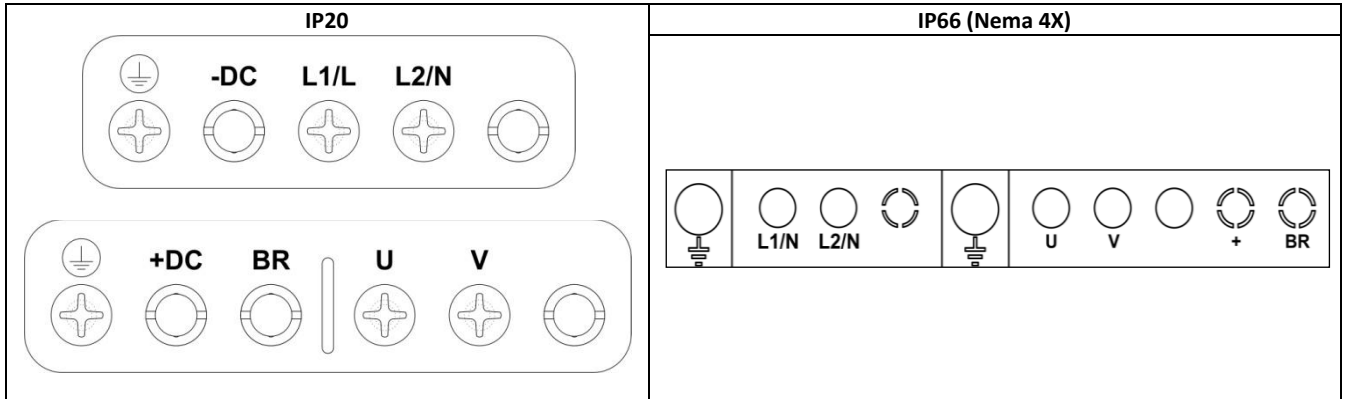
For drives that have a dynamic brake transistor (size 2 units) an optional external braking resistor will need be connected to +DC and BR when required. The brake resistor circuit should be protected by a suitable thermal protection circuit. Further information can be obtained from your local sales office.

The -DC, +DC and BR connections are blanked off by plastic tabs when sent from the factory. The plastic tabs can be removed if/when required.

##### Size 1 Connections



##### Size 2 Connections



#### 4.6. IP66 (Nema 4X) Gland Plate

The use of a suitable gland system is required to maintain the appropriate IP / Nema rating. Cable entry holes will need to be drilled to suit this system. Some guidelines sizes are defined below:

Please take care when drilling to avoid leaving any particles within the product.

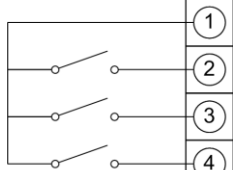
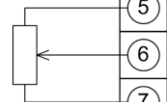
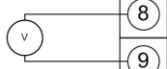
##### Cable Gland recommended Hole Sizes & types:

	Hole Size	Imperial	Metric
Size 1	22mm	PG13.5	M20
Size 2 & 3	25mm	PG16	M25
Flexible Conduit Hole Sizes:			
	Drill Size	Trade Size	Metric
Size 1	28mm	¾ in	21
Size 2 & 3	35mm	1 in	27

- UL rated ingress protection ("Type ") is only met when cables are installed using a UL recognized bushing or fitting for a flexible-conduit system which meets the required level of protection ("Type")
- For conduit installations the conduit entry holes require standard opening to the required sizes specified per the NEC
- Not intended for rigid conduit system

## 5. Control Wiring

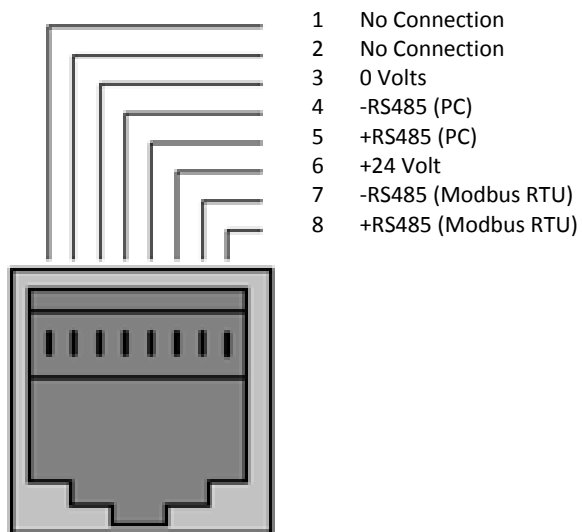
### 5.1. Control Terminal Connections

Default Connections	Control Terminal	Signal	Description
	1	+24V User Output,	+24V, 100mA.
	2	Digital Input 1	Positive logic "Logic 1" input voltage range: 8V ... 30V DC "Logic 0" input voltage range: 0V ... 4V DC
	3	Digital Input 2	
	4	Digital Input 3 / Analog Input 2	Digital: 8 to 30V Analog: 0 to 10V, 0 to 20mA or 4 to 20mA
	5	+10V User Output	+10V, 10mA, 1kΩ minimum
	6	Analog Input 1 / Digital Input 4	Analog: 0 to 10V, 0 to 20mA or 4 to 20mA Digital: 8 to 30V
	7	0V	User ground connected terminal 9
	8	Analog Output / Digital Output	Analog: 0 to 10V, 20mA maximum Digital: 0 to 24V
	9	0V	User ground connected terminal 7
	10	Relay Common	
	11	Relay NO Contact	Contact 250Vac, 6A / 30Vdc, 5A

### 5.2. RJ45 Data Connection

For MODBUS RTU register map information please refer to your Drives Sales Partner.

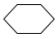
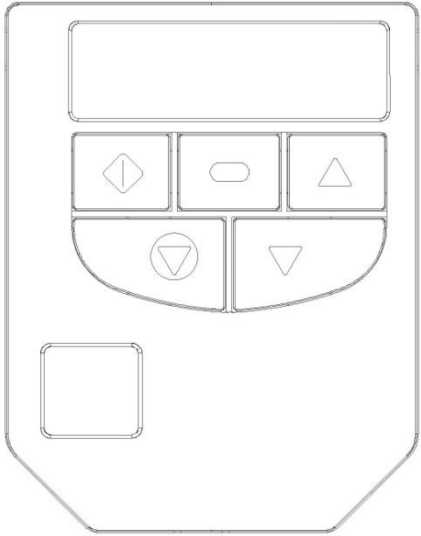




When using MODBUS control the Analog and Digital Inputs can be configured as shown in section 8.3



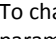
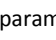
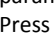
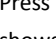
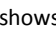
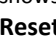
## 6. Operation

### 6.1. Managing the Keypad

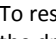
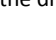


The drive is configured and its operation monitored via the keypad and display.

	NAVIGATE	Used to display real-time information, to access and exit parameter edit mode and to store parameter changes	
	UP	Used to increase speed in real-time mode or to increase parameter values in parameter edit mode	
	DOWN	Used to decrease speed in real-time mode or to decrease parameter values in parameter edit mode	
	RESET / STOP	Used to reset a tripped drive. When in Keypad mode is used to Stop a running drive.	
	START	When in keypad mode, used to Start a stopped drive.	

#### Changing Parameters


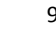
To change a parameter value press and hold the  key for >1s whilst the drive displays *StoP*. The display changes to *P-01*, indicating parameter 01. Press and release the  key to display the value of this parameter. Change to the required value using the  and  keys. Press and release the  key once more to store the change. Press and hold the  key for >1s to return to real-time mode. The display shows *StoP* if the drive is stopped or the real-time information (e.g. speed) if the drive is running.

#### Reset Factory Default Settings

To reset factory default parameters, press ,  and  for >2s. The display shows *P-dEF*. Press the  button to acknowledge and reset the drive.

### 6.2. Terminal Control

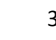


When delivered, the drive is in the factory default state, meaning that it is set to operate in terminal control mode and all parameters (P-xx) have the default values as indicated in section 7 Parameters.

1. Connect motor to drive, checking star/delta connection for the voltage rating
2. Enter motor data from motor nameplate, P-07 = motor rated voltage, P-08 = motor rated current, P-09 = motor rated frequency.
3. Connect a control switch between the control terminals 1 and 2 ensuring that the contact is open (drive disabled).
4. Connect a potentiometer (1kΩ min to 10 kΩ max) between terminals 5 and 7, and the wiper to terminal 6.
5. With the potentiometer set to zero, switch on the supply to the drive. The display will show *StoP*.
6. Close the control switch, terminals 1-2. The drive is now 'enabled' and the output frequency/speed are controlled by the potentiometer. The display shows zero speed in Hz (*H 0.0*) with the potentiometer turned to minimum.
7. Turn the potentiometer to maximum. The motor will accelerate to 50Hz (the default value of P-01) under the control of the accelerating ramp time P-03. The display shows 50Hz (*H 50.0*) at max speed.
8. To display motor current (A), briefly press the  (Navigate) key.
9. Press  again to return to speed display.
10. To stop the motor, either turn the potentiometer back to zero or disable the drive by opening the control switch (terminals 1-2).

If the enable/disable switch is opened the drive will decelerate to stop at which time the display will show *StoP*. If the potentiometer is turned to zero with the enable/disable closed the display will show *H 0.0* (0.0Hz), if left like this for 20 seconds the drive will go into standby mode, display shows *StndBy*, waiting for a speed reference signal.

### 6.3. Keypad Control

To allow the drive to be controlled from the keypad in a forward direction only, set P-12 =1:

1. Connect Motor as for terminal control above.
2. Enable the drive by closing the switch between control terminals 1 & 2. The display will show *StoP*.
3. Press the  key. The display shows *H 0.0*.
4. Press  to increase speed.
5. The drive will run forward, increasing speed until  is released.



The rate of acceleration is controlled by the setting of P-03, check this before starting.

6. Press  $\nabla$  to decrease speed. The drive will decrease speed until  $\nabla$  is released. The rate of deceleration is limited by the setting in P-04
7. Press the  $\blacktriangledown$  key. The drive will decelerate to rest at the rate set in P-04.
8. The display will finally show  $StOP$  at which point the drive is disabled
9. To preset a target speed prior to enable, press the  $\blacktriangledown$  key whilst the drive is stopped. The display will show the target speed, use the  $\triangle$  &  $\nabla$  keys to adjust as required then press the  $\blacktriangledown$  key to return the display to  $StOP$ .
10. Pressing the  $\blacklozenge$  key will start the drive accelerating to the target speed.

## 7. Parameters

### 7.1. Standard Parameters

P-01	<b>Maximum Frequency / Speed Limit</b>							
	Minimum	P-02	Maximum	120.0	Units	Hz / Rpm	Default	50.0 (60.0)
	Maximum output frequency or motor speed limit – Hz or rpm. If P-10 >0, the value entered / displayed is in Rpm							
P-02	<b>Minimum Frequency / Speed Limit</b>							
	Minimum	5.0	Maximum	P-01	Units	Hz / Rpm	Default	0.0
	Minimum speed limit – Hz or rpm. If P-10 >0, the value entered / displayed is in Rpm							
P-03	<b>Acceleration Ramp Time</b>							
	Minimum	0.00	Maximum	600.0	Units	Seconds	Default	5.0
	Acceleration ramp time from 0.0 to base frequency (P-09) in seconds.							
P-04	<b>Deceleration Ramp Time</b>							
	Minimum	0.00	Maximum	600.0	Units	Seconds	Default	5.0
	Deceleration ramp time from base frequency (P-09) to standstill in seconds. When set to 0.00, the value of P-24 is used.							
-05	<b>Stopping Mode</b>							
	Minimum	0	Maximum	2	Units	-	Default	0
	<p><b>0 : Ramp To Stop.</b> When the enable signal is removed, the drive will ramp to stop, with the rate controlled by P-04. If the mains supply is lost, the drive will try to continue running by reducing the speed of the load, and using the load as a generator.</p> <p><b>1 : Coast to Stop.</b> When the enable signal is removed, or if the mains supply is lost, the motor will coast (freewheel) to stop</p> <p><b>2 : Ramp To Stop.</b> When the enable signal is removed, the drive will ramp to stop, with the rate controlled by P-04. If the mains supply is lost The drive will ramp to stop using the P-24 decel ramp with dynamic brake control when mains supply lost.</p>							
P-06	<b>Reserved</b>							
	Reserved							
P-07	<b>Motor Rated Voltage</b>							
	Minimum	0	Maximum	150 / 250	Units	Volts	Default	115 / 230
	This parameter should be set to the rated (nameplate) voltage of the motor (Volts). Setting to Zero disables voltage compensation							
P-08	<b>Motor Rated Current</b>							
	Minimum	-	Maximum	-	Units	Amps	Default	Drive Rating
	This parameter should be set to the rated (nameplate) current of the motor							
P-09	<b>Motor Rated Frequency</b>							
	Minimum	25	Maximum	120	Units	Hz	Default	50 (60)
	This parameter should be set to the rated (nameplate) frequency of the motor							
P-10	<b>Motor Rated Speed</b>							
	Minimum	0	Maximum	30000	Units	Rpm	Default	0
	This parameter can optionally be set to the rated (nameplate) rpm of the motor. When set to the default value of zero, all speed related parameters are displayed in Hz, and the slip compensation for the motor is disabled. Entering the value from the motor nameplate enables the slip compensation function, and the drive display will now show motor speed in estimated rpm. All speed related parameters, such as Minimum and Maximum Speed, Preset Speeds etc will also be displayed in Rpm.							
P-11	<b>Boost Start Voltage</b>							
	Minimum	0.0	Maximum	100.0	Units	%	Default	3.0
	Percentage of rated motor voltage applied at the start of the boost period (P-33). The applied voltage increases from this level to rated voltage over the boost period. The frequency during the applied boost period is fixed at the motor rated frequency (P-09).							
P-12	<b>Primary Command Source</b>							
	Minimum	0	Maximum	6	Units	-	Default	0
	<p><b>0: Terminal Control.</b> The drive responds directly to signals applied to the control terminals.</p> <p><b>1,2: Uni-directional Keypad Control.</b> The drive can be controlled in the forward direction only.</p> <p><b>3: Modbus Network Control.</b> Control via Modbus RTU (RS485) using the internal accel / decel ramps</p> <p><b>4 : Modbus Network Control.</b> Control via Modbus RTU (RS485) interface with accel / decel ramps updated via Modbus</p> <p><b>5 : PI Control.</b> User PI control with external feedback signal</p> <p><b>6 : PI Analog Summation Control.</b> PI control with external feedback signal and summation with analog input 1</p>							
P-13	<b>Trip Log History</b>							
	Previous 4 trips stored in order of occurrence, with the most recent first. Press UP or DOWN to step through all four. The most recent trip is always displayed first. UV trip is only stored once. Further fault event logging functions are available through parameter group zero.							
P-14	<b>Extended Menu Access code</b>							
	Minimum	0	Maximum	9999	Units	-	Default	0
	Set to "101" (default) for extended menu access. Change code in P-37 to prevent unauthorised access to the Extended Parameter Set							



## 7.2. Extended Parameters

P-15	<b>Digital Input Function Select</b>							
	Minimum	0	Maximum	12	Units	-	Default	0
Defines the function of the digital inputs depending on the control mode setting in P-12. See section 21 Analog and Digital Input Configurations for more information.								
P-16	<b>Analog Input 1 Signal Format</b>							
	Minimum	-	Maximum	-	Units	-	Default	<b>U0-10</b>
<p><b>U 0-10</b> = 0 to 10 Volt Signal (Uni-polar). The drive will remain at 0.0Hz if the analog reference after scaling and offset are applied is &lt;0.0%</p> <p><b>b 0-10</b> = Reserved, Not for use with Single phase Output drives.</p> <p><b>A 0-20</b> = 0 to 20mA Signal</p> <p><b>t 4-20</b> = 4 to 20mA Signal, the drive will trip and show the fault code <b>4-20F</b> if the signal level falls below 3mA</p> <p><b>r 4-20</b> = 4 to 20mA Signal, the drive will ramp to stop if the signal level falls below 3mA</p> <p><b>t 20-4</b> = 20 to 4mA Signal, the drive will trip and show the fault code <b>4-20F</b> if the signal level falls below 3mA</p> <p><b>r 20-4</b> = 20 to 4mA Signal, the drive will ramp to stop if the signal level falls below 3mA</p>								
P-17	<b>Maximum Effective Switching Frequency</b>							
	Minimum	4	Maximum	32	Units	kHz	Default	8 / 16
Sets maximum effective switching frequency of the drive. If "rEd" is displayed, the switching frequency has been reduced to the level in P00-14 due to excessive drive heatsink temperature.								
P-18	<b>Output Relay Function Select</b>							
	Minimum	0	Maximum	7	Units	-	Default	1
<p>Selects the function assigned to the relay output. The relay has two output terminals, Logic 1 indicates the relay is active, and therefore terminals 10 and 11 will be linked together.</p> <p><b>0 : Drive Enabled (Running).</b> Logic 1 when the motor is enabled</p> <p><b>1 : Drive Healthy.</b> Logic 1 when power is applied to the drive and no fault exists</p> <p><b>2 : At Target Frequency (Speed).</b> Logic 1 when the output frequency matches the setpoint frequency</p> <p><b>3 : Drive Tripped.</b> Logic 1 when the drive is in a fault condition</p> <p><b>4 : Output Frequency &gt;= Limit.</b> Logic 1 when the output frequency exceeds the adjustable limit set in P-19</p> <p><b>5 : Output Current &gt;= Limit.</b> Logic 1 when the motor current exceeds the adjustable limit set in P-19</p> <p><b>6 : Output Frequency &lt; Limit.</b> Logic 1 when the output frequency is below the adjustable limit set in P-19</p> <p><b>7 : Output Current &lt; Limit.</b> Logic 1 when the motor current is below the adjustable limit set in P-19</p>								
P-19	<b>Relay Threshold Level</b>							
	Minimum	P-02	Maximum	200.0	Units	%	Default	100.0
Adjustable threshold level used in conjunction with settings 4 to 7 of P-18 and P-25								
P-20	<b>Preset Frequency / Speed 1</b>							
	Minimum	P-02	Maximum	P-01	Units	Hz/Rpm	Default	0.0
P-21	<b>Preset Frequency / Speed 2</b>							
	Minimum	P-02	Maximum	P-01	Units	Hz/Rpm	Default	0.0
P-22	<b>Preset Frequency / Speed 3</b>							
	Minimum	P-02	Maximum	P-01	Units	Hz/Rpm	Default	0.0
P-23	<b>Preset Frequency / Speed 4</b>							
	Minimum	P-02	Maximum	P-01	Units	Hz/Rpm	Default	0.0
Preset Speeds / Frequencies selected by digital inputs depending on the setting of P-15 If P-10 = 0, the values are entered as Hz. If P-10 > 0, the values are entered as Rpm.								
P-24	<b>2nd decel Ramp Time (Fast Stop)</b>							
	Minimum	0.00	Maximum	25.0	Units	s	Default	0.00
This parameter allows an alternative deceleration ramp down time to be programmed into the drive, which can be selected by digital inputs (dependent on the setting of P-15) or selected Automatically in the case of a mains power loss if P-05 = 2. When set to 0.00, the drive will coast to stop.								
P-25	<b>Analog Output Function Select</b>							
	Minimum	0	Maximum	9	Units	-	Default	8
<b>Digital Output Mode. Logic 1 = +24V DC</b>								
<p><b>0 : Drive Enabled (Running).</b> Logic 1 when the drive is enabled (Running)</p> <p><b>1 : Drive Healthy.</b> Logic 1 When no Fault condition exists on the drive</p> <p><b>2 : At Target Frequency (Speed).</b> Logic 1 when the output frequency matches the setpoint frequency</p> <p><b>3 : Drive Tripped.</b> Logic 1 when the drive is in a fault condition</p> <p><b>4 : Output Frequency &gt;= Limit.</b> Logic 1 when the output frequency exceeds the adjustable limit set in P-19</p> <p><b>5 : Output Current &gt;= Limit.</b> Logic 1 when the motor current exceeds the adjustable limit set in P-19</p> <p><b>6 : Output Frequency &lt; Limit.</b> Logic 1 when the output frequency is below the adjustable limit set in P-19</p> <p><b>7 : Output Current &lt; Limit.</b> Logic 1 when the motor current is below the adjustable limit set in P-19</p>								
<b>Analog Output Mode</b>								
<p><b>8 : Output Frequency (Motor Speed).</b> 0 to P-01</p> <p><b>9 : Output (Motor) Current.</b> 0 to 200% of P-08</p>								
P-26	<b>Skip frequency hysteresis band</b>							
	Minimum	0.0	Maximum	P-01	Units	Hz / Rpm	Default	0.0

P-27	<b>Skip Frequency</b>							
	Minimum	P-02	Maximum	P-01	Units	Hz / Rpm	Default	0.0
	The Skip Frequency function is used to avoid the drive operating at a certain output frequency, for example at a frequency which causes mechanical resonance in a particular machine. Parameter P-27 defines the centre point of the skip frequency band, and is used in conjunction with P-26. The drive output frequency will ramp through the defined band at the rates set in P-03 and P-04 respectively, and will not hold any output frequency within the defined band. If the frequency reference applied to the drive is within the band, the drive output frequency will remain at the upper or lower limit of the band.							
P-28	<b>V/F Characteristic Adjustment Voltage</b>							
	Minimum	0	Maximum	P-07	Units	V	Default	0
P-29	<b>V/F Characteristic Adjustment Frequency</b>							
	Minimum	0.0	Maximum	P-09	Units	Hz	Default	0.0
	This parameter in conjunction with P-28 sets a frequency point at which the voltage set in P-29 is applied to the motor. Care must be taken to avoid overheating and damaging the motor when using this feature. See section 7.3 for further information.							
P-30	<b>Terminal Mode Restart function</b>							
	Minimum	-	Maximum	-	Units	-	Default	<b>Auto-0</b>
	Defines the behaviour of the drive relating to the enable digital input and also configures the Automatic Restart function. <b>Auto-r</b> : Following Power on or reset, the drive will not start if Digital Input 1 remains closed. The Input must be closed after a power on or reset to start the drive. <b>Auto-0</b> : Following a Power On or Reset, the drive will automatically start if Digital Input 1 is closed. <b>Auto-1 to Auto-5</b> : Following a trip, the drive will make up to 5 attempts to restart at 20 second intervals. The drive must be powered down to reset the counter. The numbers of restart attempts are counted, and if the drive fails to start on the final attempt, the drive will fault with, and will require the user to manually reset the fault.							
P-31	<b>Keypad Mode Restart Function</b>							
	Minimum	0	Maximum	3	Units	-	Default	1
	This parameter is active only when operating in Keypad Control Mode (P-12 = 1 or 2). When setting 0 or 1 is used, the Keypad Start and Stop keys are active, and control terminals 1 and 2 must be linked together. Settings 2 and 3 allow the drive to be started from the control terminals directly, and the keypad Start and Stop keys are ignored. Settings 0 and 2 : The drive will always start at the Minimum Frequency / Speed (P-02) Settings 1 and 3 : The drive will always start at the last operating Frequency / Speed <b>0 : Minimum Speed, Keypad Start</b> <b>1 : Previous Speed, Keypad Start</b> <b>2 : Minimum Speed, Terminal Enable</b> <b>3 : Previous Speed, Terminal Enable</b>							
P-32	<b>Boost Frequency</b>							
	Minimum	0.0	Maximum	P-09	Units	Hz	Default	P-09
Defines the time for which a DC current is injected into the motor once the output frequency reaches 0.0Hz. The voltage level is the same as the boost level set in P-11.								
P-33	<b>Boost Period Duration</b>							
	Minimum	0.0	Maximum	150	Units	s	Default	5
Time for which the startup boost period is applied. During this period, the output frequency is set to P-32 and the voltage increases linearly from P-11 to P-07. Setting P-33 to zero disables boost.								
P-34	<b>Brake Chopper Enable (size 2 only)</b>							
	Minimum	0	Maximum	2	Units	-	Default	0
<b>0 : Disabled</b> <b>1 : Enabled With Software Protection.</b> Enables the internal brake chopper with software protection for a 200W continuous rated resistor <b>2 : Enabled Without Software Protection.</b> Enables the internal brake chopper without software protection. An external thermal protection device should be fitted.								
P-35	<b>Analog Input 1 Scaling</b>							
	Minimum	0.0	Maximum	500.0	Units	%	Default	100.0
Scales the analog input by this factor, e.g. if P-16 is set for a 0 – 10V signal, and the scaling factor is set to 200.0%, a 5 volt input will result in the drive running at maximum frequency / speed (P-01)								
P-36	<b>Serial Communications Configuration</b>							
	This parameter has three sub settings used to configure the Modbus RTU Serial Communications. The Sub Parameters are <b>Drive Address</b> : Adr 0 to Adr 63 <b>Baud Rate</b> : 9.6kbps to 115.2kbps <b>Watchdog Timeout</b> : 0 (Disabled, 30 ... 3000 milliseconds)							
P-37	<b>Access Code Definition</b>							
	Minimum	0	Maximum	9999	Units	-	Default	101
Defines the access code which must be entered in P-14 to access parameters above P-14								
P-38	<b>Parameter Access Lock</b>							
	Minimum	0	Maximum	1	Units	-	Default	0
<b>0 : Unlocked.</b> All parameters can be accessed and changed <b>1 : Locked.</b> Parameter values can be displayed, but cannot be changed								
P-39	<b>Analog Input 1 Offset</b>							
	Minimum	-500.0	Maximum	500.0	Units	%	Default	0.0
Sets an offset, as a percentage of the full scale range of the input, which is applied to the analog input signal								

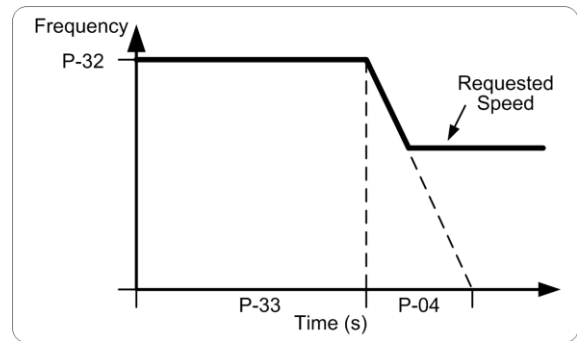
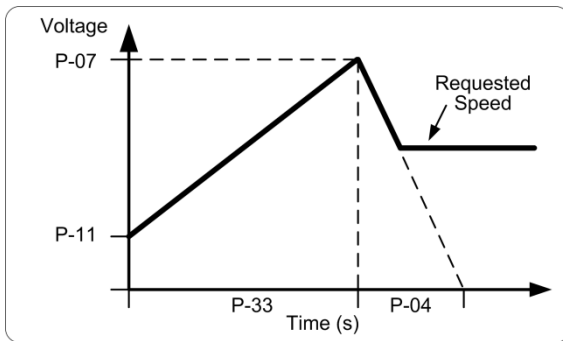
P-40	<b>Display Speed Scaling Factor</b>							
	Minimum	0.000	Maximum	6.000	Units	-	Default	0.000
	Allow the user to program the drive to display an alternative output unit scaled from the output frequency or speed, e.g. to display conveyer speed in metres per second. This function is disabled if P-40 = 0.00							
P-41	<b>PI Controller Proportional Gain</b>							
	Minimum	0.0	Maximum	30.0	Units	-	Default	1.0
	PI Controller Proportional Gain. Higher values provide a greater change in the drive output frequency in response to small changes in the feedback signal. Too high a value can cause instability							
P-42	<b>PI Controller Integral Time</b>							
	Minimum	0.0	Maximum	30.0	Units	s	Default	1.0
	PI Controller Integral Time. Larger values provide a more damped response for systems where the overall process responds slowly							
P-43	<b>PI Controller Operating Mode</b>							
	Minimum	0	Maximum	1	Units	-	Default	0
	<b>0 : Direct Operation.</b> Use this mode if an increase in the motor speed should result in an increase in the feedback signal <b>1 : Inverse Operation.</b> Use this mode if an increase in the motor speed should result in a decrease in the feedback signal							
P-44	<b>PI Reference (Setpoint) Source Select</b>							
	Minimum	0	Maximum	1	Units	-	Default	0
	Selects the source for the PID Reference / Setpoint <b>0 : Digital Preset Setpoint.</b> P-45 is used <b>1 : Analog Input 1 Setpoint</b>							
P-45	<b>PI Digital Setpoint</b>							
	Minimum	0.0	Maximum	100.0	Units	%	Default	0.0
	When P-44 = 0, this parameter sets the preset digital reference (setpoint) used for the PI Controller							
P-46	<b>PI Feedback Source Select</b>							
	Minimum	0	Maximum	2	Units	-	Default	1
	<b>0 : Analog Input 2</b> (Terminal 4) <b>1 : Analog Input 1</b> (Terminal 6) <b>2 : Motor Current</b>							
P-47	<b>Analog Input 2 Signal Format</b>							
	Minimum	-	Maximum	-	Units	-	Default	U 0-10
	<b>U 0-10</b> = 0 to 10 Volt Signal <b>A 0-20</b> = 0 to 20mA Signal <b>t 4-20</b> = 4 to 20mA Signal, the drive will trip and show the fault code <b>4-20F</b> if the signal level falls below 3mA <b>r 4-20</b> = 4 to 20mA Signal, the drive will ramp to stop if the signal level falls below 3mA <b>t 20-4</b> = 20 to 4mA Signal, the drive will trip and show the fault code <b>4-20F</b> if the signal level falls below 3mA <b>r 20-4</b> = 20 to 4mA Signal, the drive will ramp to stop if the signal level falls below 3mA							

### 7.3. Adjusting the Voltage / Frequency (V/f) characteristics

	<p>The V/f characteristic is defined by several parameters as follows :-</p> <p>P-07 : Motor Rated Voltage P-09 : Motor Rated Frequency</p> <p>The voltage set in parameter P-07 is applied to the motor at the frequency set under normal operating conditions, the voltage is linearly reduced at any point below the motor rated frequency to maintain a constant motor torque output as shown by the line 'A' on the graph.</p> <p>By using parameters P-28 and P-29, the voltage to be applied at a particular frequency can be directly set by the user, thereby altering the V/F characteristic.</p> <p>Reducing the voltage at a particular frequency reduces the current in the motor and hence the torque and power, hence this function can be used in fan and pump applications where a variable torque output is desired by setting the parameters as follows :-</p> <p><math>P-29 = P-09 / 2</math> <math>P-28 = P-07 / 4</math></p> <p>This function can also be useful if motor instability is experienced at certain frequencies, if this is the case increase or decrease the voltage (P-28) at the speed of instability (P-29).</p>
--	--

## 7.4. Boost Starting cycle

The unique operating mode of the single phase output drive is that on starting it always goes through a Boost Starting Cycle. During this cycle the drive applies the Boost Frequency (P-32) to the motor and the motor voltage is increased from the boost voltage level (P-11) to the motor rated level (P-07). At the end of the cycle the drive will then ramp to the desired operating frequency (speed).



## 7.5. P-00 Read Only Status Parameters

	Description	Display range	Explanation
P00-01	1st Analog input value	0 ... 100%	100% = max input voltage
P00-02	2nd Analog input value	0 ... 100%	100% = max input voltage
P00-03	Speed reference input	-P1-01 ... P1-01	Displayed in Hz if P-10 = 0, otherwise displayed in RPM
P00-04	Digital input status	Binary value	Drive digital input status
P00-05	Reserved	0	Reserved
P00-06	Reserved	0	Reserved
P00-07	Applied motor voltage	0 ... 600V AC	Value of RMS voltage applied to motor
P00-08	DC bus voltage	0 ... 1000V dc	Internal DC bus voltage
P00-09	Internal Heatsink temperature	-20 ... 100 °C	Temperature of heatsink in °C
P00-10	Hours run meter	0 to 99 999 hours	Not affected by resetting factory default parameters
P00-11	Run time since last trip (1)	0 to 99 999 hours	Run-time clock stopped by drive disable (or trip), reset on next enable only if a trip occurred. Reset also on next enable after a drive power down.
P00-12	Run time since last trip (2)	0 to 99 999 hours	Run-time clock stopped by drive disable (or trip), reset on next enable only if a trip occurred (under-volts not considered a trip) – not reset by power down / power up cycling unless a trip occurred prior to power down
P00-13	Run time since last disable	0 to 99 999 hours	Run-time clock stopped on drive disable, value reset on next enable
P00-14	Drive Effective Switching Frequency	4 to 32 kHz	Actual drive effective output switching frequency. This value maybe lower than the selected frequency in P-17 if the drive is too hot. The drive will automatically reduce the switching frequency to prevent an over temperature trip and maintain operation.
P00-15	DC bus voltage log	0 ... 1000V	8 most recent values prior to trip, updated every 250ms
P00-16	Thermistor temperature log	-20 ... 120 °C	8 most recent values prior to trip, updated every 500ms
P00-17	Motor current	0 to 2x rated current	8 most recent values prior to trip, updated every 250ms
P00-18	Software ID, IO & motor ctrl	e.g. "1.00", "47AE"	Version number and checksum. "1" on LH side indicates I/O processor, "2" indicates motor control
P00-19	Drive serial number	000000 ... 999999 00-000 ... 99-999	Unique drive serial number e.g. 540102 / 32 / 005
P00-20	Drive identifier	Drive rating	Drive rating, drive type e.g. 0.37, 1 230,3P-out

### Parameter group zero access and navigation

When P-14 = P-37, all P-00 parameters are visible. Default value is 101.

When the user scrolls to P-00, pressing will display "P00-XX", where XX represents the secondary number within P-00. (i.e. 1 to 20). The User can then scroll to the required P-00 parameter.

Pressing once more will then display the value of that particular group zero parameter.

For those parameters which have multiple values (e.g. software ID), pressing the and keys will display the different values within that parameter.

Pressing returns to the next level up. If is then pressed again (without pressing or ) the display changes to the next level up (main parameter level, i.e. P-00).

If or is pressed whilst on the lower level (e.g. P00-05) to change the P-00 index, pressing <NAVIGATE> quickly displays that parameter value.

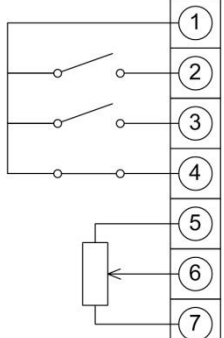
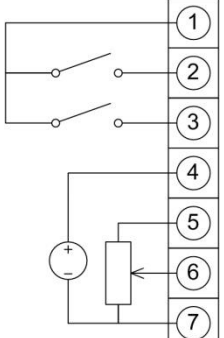
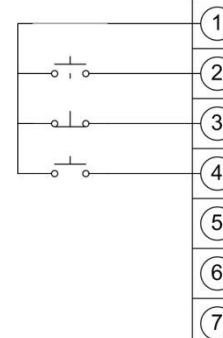
## 8. Analog and Digital Input Configurations

### 8.1. Terminal Mode (P-12 = 0)

P-15	Digital input 1 (T2)	Digital input 2 (T3)	Digital input 3 (T4)	Analog input (T6)	Comments
0	Open: Stop (disable) Closed: Run (enable)	No Effect	Open : Analog speed ref Closed : Preset speed 1	Analog input 1 reference	
1	Open: Stop (disable) Closed: Run (enable)	Open: Analog speed ref Closed: Preset speed 1/2	Open: Preset speed 1 Closed: Preset speed 2	Analog input 1 reference	
2	Open: Stop (disable) Closed: Run (enable)	<b>Digital Input 2</b>	<b>Digital Input 3</b>	<b>Preset Speed</b>	Open: Preset speeds 1-4 Closed: Max Speed(P-01)  4 Preset speeds selectable. Analog input used as digital input Closed status: 8V < Vin < 30V
		Open	Open	Preset Speed 1	
		Closed	Open	Preset Speed 2	
		Open	Closed	Preset Speed 3	
		Closed	Closed	Preset Speed 4	
3	Open: Stop (disable) Closed: Run (enable)	Open : Analog speed ref Closed : Preset speed 1	<b>External trip input :</b> Open: Trip, Closed: Run	Analog input 1 reference	Connect external thermistor type PT100 or similar to digital input 3
4	Open: Stop (disable) Closed: Run (enable)	Open : Analog input 1 Closed : Analog input 2	Analog input 2 reference	Analog input 1 reference	Switches between analog inputs 1 and 2
5	Open: Stop (disable) Closed: Run (enable)	Open: Run Closed: Fast Stop	Open : Analog speed ref Closed : Preset speed 1	Analog input 1 reference	Close digital input 2 to carry out a fast stop (P-24)
6	Open: Stop (disable) Closed: Run (enable)	No Effect	<b>External trip input :</b> Open: Trip, Closed: Run	Analog input 1 reference	Connect external thermistor type PT100 or similar to digital input 3
7	Open: Stop (disable) Closed: Run (enable)	Open: Run Closed: Fast Stop	<b>External trip input :</b> Open: Trip, Closed: Run	Analog input 1 reference	Close digital input 2 to carry out a fast stop (P-24), provided P-05=0
8	Open: Stop (disable) Closed: Run (enable)	No Effect	<b>Digital Input 3</b>	<b>Analog Input 1</b>	<b>Preset Speed</b>
			Open	Open	Preset Speed 1
			Closed	Open	Preset Speed 2
			Open	Closed	Preset Speed 3
		Closed	Closed	Preset Speed 4	
9	Open: Stop (disable) Closed: Run (enable)	Open: Run Closed: Fast Stop	<b>Digital Input 3</b>	<b>Analog Input 1</b>	<b>Preset Speed</b>
			Open	Open	Preset Speed 1
			Closed	Open	Preset Speed 2
			Open	Closed	Preset Speed 3
		Closed	Closed	Preset Speed 4	Close digital input 2 to carry out a fast stop (P-24), provided P-05=0
10	Normally Open (NO) Momentary close to run	Normally Closed (NC) Momentary open to stop	Open : Analog speed ref Closed: Preset speed 1	Analog input 1 reference	
11	Normally Open (NO) Momentary close to run	Normally Closed (NC) Momentary open to stop	Normally Open (NO) Momentary close to Fast Stop	Analog input 1 reference	Close digital input 3 to carry out a fast stop (P-24), provided P-05=0
12	Open: Stop (disable) Closed: Run (enable)	Open: Fast Stop (disable) Closed: Run (enable)	Open : Analog speed ref Closed : Preset speed 1	Analog input 1 reference	

### Typical Applications

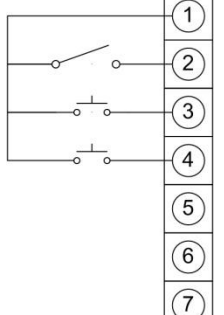
Terminal Mode P-12=0, P-15=0	Terminal Mode P-12=0, P-15 = 1	Terminal Mode P-12=0, P-15=2
Analog speed input with 1 preset speed	Analog speed input with 2 preset speeds	4 preset speeds and max speed select switch. Effectively giving 5 preset speeds

Terminal Mode P-12=0, P-15=3	Terminal Mode P-12=0, P-15=4	Terminal Mode P-12=0, P-15=11
		
① +24 Volt ② Run (Enable) ③ Analog / Preset 1 ④ External Trip ⑤ + 10 Volts ⑥ Reference ⑦ 0 Volts	① +24 Volt ② Run (Enable) ③ Local / Remote (Hand / Auto) ④ Remote (Auto) Reference ⑤ + 10 Volts ⑥ Local (Hand) Reference ⑦ 0 Volts	① +24 Volt ② Run Forward ③ Stop ④ Fast Stop ⑤ ⑥ ⑦
Analog speed input with 1 preset speed and motor thermistor trip	Local or remote analog speeds (2 analog inputs)	Push button fwd/stop/fast stop using 2 <sup>nd</sup> deceleration ramp

## 8.2. Keypad Mode (P-12 = 1 or 2)

P-15	Digital input 1 (T2)	Digital input 2 (T3)	Digital input 3 (T4)	Analog input (T6)	Comments
0..2, 5, 8..12	Open: Stop (disable) Closed: Run (enable)	Closed : remote UP push-button	Closed : remote DOWN push-button	Open : Keypad speed ref +24V : Preset speed 1	
3	Open: Stop (disable) Closed: Run (enable)	Closed : remote UP push-button	External trip input : Open: Trip, Closed: Run	Closed : remote DOWN push-button	Connect external thermistor type PT100 or similar to digital input 3
4	Open: Stop (disable) Closed: Run (enable)	Closed : remote UP push-button	Open : Keypad speed ref Closed : Analog input 1	Analog input 1	
6	Open: Stop (disable) Closed: Run (enable)	No Effect	External trip input : Open: Trip, Closed: Run	Open : Keypad speed ref +24V : Preset speed 1	Connect external thermistor type PT100 or similar to digital input 3
7	Open: Forward Stop Closed: Forward Run	Open: Run Closed: Fast Stop	External trip input : Open: Trip, Closed: Run	Open : Keypad speed ref +24V : Preset speed 1	Close digital input 3 to carry out a fast stop (P-24), provided P-05=0

### Example Wiring

Keypad Mode P-12=1 or 2, P-15=0	
	① +24 Volt ② Run (Enable) ③ Increase Speed ④ Reduce Speed ⑤ ⑥ ⑦
Remote push button speed control	

**NOTE** By default if the enable signal is present the drive will not Enable until the START button is pressed. To automatically enable the drive when the enable signal is present set P-31 = 2 or 3. This then disables the use of the START & STOP buttons

## 8.3. Modbus Control Mode (P-12 = 3 or 4)

P-15	Digital input 1 (T2)	Digital input 2 (T3)	Digital input 3 (T4)	Analog input (T6)	Comments
0..2, 4..5, 8..12	Open: Stop (disable) Closed: Run (enable)	No effect	No effect	No effect	Run and stop commands given via the RS485 link and Digital input 1 must be closed for the drive to run.
3	Open: Stop (disable) Closed: Run (enable)	Open : Master speed ref Closed : Preset speed 1	External trip input : Open: Trip, Closed: Run	No effect	Connect external thermistor type PT100 or similar to digital input 3
6	Open: Stop (disable) Closed: Run (enable)	Open : Master speed ref Closed : Analog input	External trip input : Open: Trip, Closed: Run	Analog input reference	Master Speed Ref - start and stop controlled via RS485. Keypad Speed Ref - drive auto runs if digital input 1 closed, depending on P-31 setting
7	Open: Stop (disable) Closed: Run (enable)	Open : Master speed ref Closed : keypad speed ref	External trip input : Open: Trip, Closed: Run	No effect	

Further information the MODBUS RTU Register Map information and communication setup; please contact your Drives Sales Partner.

## 8.4. User PI Control Mode

P-15	Digital input 1 (T2)	Digital input 2 (T3)	Digital input 3 (T4)	Analog input (T6)	Comments
0, 2, 4, 5, 8..12	Open: Stop (disable) Closed: Run (enable)	Open : PI control Closed : Preset speed 1	PI feedback analog input	No Effect	Analog Input 1 can provide an adjustable PI setpoint, by setting P-44 = 1
1	Open: Stop (disable) Closed: Run (enable)	Open : PI control Closed : Analog input 1	PI feedback analog input	Analog input 1	Analog Input 1 can provide an adjustable PI setpoint, by setting P-44 = 1
3, 6, 7	Open: Stop (disable) Closed: Run (enable)	Open : PI control Closed : Preset speed 1	External trip input : Open: Trip, Closed: Run	PI feedback analog input	Connect external thermistor type PT100 or similar to digital input 3

### Example Wiring

PI Mode P-12=5, P-15=0	PI Mode P-12=5, P-15=1	PI Mode P-12=5, P-15=3
Remote closed loop PI feedback control with Local Preset speed 1	Remote closed loop PI feedback control with Local Analog speed input	Remote closed loop PI feedback control with Local Preset speed 1 and motor thermistor trip

#### NOTE

By default the PI reference is set for a digital reference level set in P-45.  
 When using an Analog reference set P-44 = 1 (analog) and connect reference signal to analog input 1 (T6).  
 The default settings for proportional gain (P-41), integral gain (P-42) and feedback mode (P-43) are suitable for most HVAC and pumping applications.  
 The analog reference used for PI controller can also be used as the local speed reference when P15=1.

## 8.5. Motor Thermistor Connection

	<p>1 : + 24 Volt</p> <p>4 : External Trip</p> <p>The motor thermistor should be connected between terminals 1 and 4 as shown. A setting of P-15 where Digital Input 3 is programmed for 'External Trip' must be used. The current flow through the thermistor is automatically controlled to prevent a failure.</p>
--	---

## 9. Technical Data

### 9.1. Environmental

Operational ambient temperature range	Open Drives	:	-10 ... 50°C (frost and condensation free)
	Enclosed Drives	:	-10 ... 40°C (frost and condensation free)
Storage ambient temperature range		:	-40 ... 60°C
Maximum altitude		:	2000m. De-rate above 1000m : 1% / 100m
Maximum humidity		:	95%, non-condensing

### 9.2. Rating Tables

#### 110-115V ±10% - 1 Phase Input

kW	HP	Frame Size	Nominal Input Current	Fuse or MCB (type B)	Supply Cable Size	Nominal Output Current	150% Output Current 60 secs	Motor Cable Size	Max Motor Cable Length	Min Brake Res Value
			Amps	Amps	mm <sup>2</sup>	Amps	Amps	mm <sup>2</sup>	m	Ω
-	0.5	1	12.4	10	1.5	7	10.5	1.5	25	-
-	0.75	2	16.1	16	2.5	10.5	15.8	1.5	50	47

#### 200-240V ±10% - 1 Phase Input

kW	HP	Frame Size	Nominal Input Current	Fuse or MCB (type B)	Supply Cable Size	Nominal Output Current	150% Output Current 60 secs	Motor Cable Size	Max Motor Cable Length	Min Brake Res Value
			Amps	Amps	mm <sup>2</sup>	Amps	Amps	mm <sup>2</sup>	m	Ω
0.37	0.5	1	6.8	6	1.5	4.3	6.5	1.5	25	-
0.75	1	1	12.8	10	1.5	7	10.5	1.5	25	-
1.1	1.5	2	16.2	16	2.5	10.5	15.8	1.5	50	47

### 9.3. Maximum Supply Rating for UL Compliance

Drive rating	Maximum supply voltage	Maximum supply short-circuit current
115V ratings – 0.5 HP to 1HP	120V rms (AC)	5kA rms (AC)
230V ratings – 0.37kW (0.5HP) to 1.1kW (1.5HP)	240V rms (AC)	5kA rms (AC)

All the drives in the above table are suitable for use on a circuit capable of delivering not more than the above specified maximum short-circuit Amperes symmetrical with the specified maximum supply voltage.



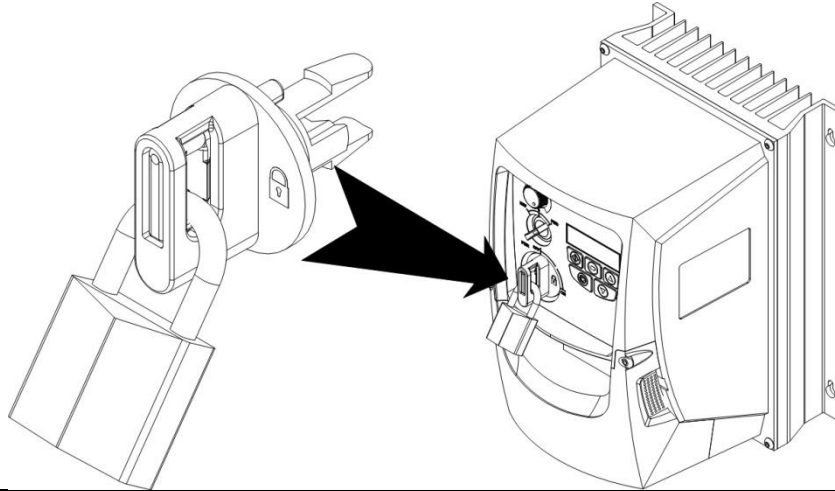
## 10. Additional Information – IP66 Enclosed Units

### 10.1. IP66 (Nema 4X) Lock Off (Switched units only)

#### Power Isolator Lock Off

On the switched models the main power isolator switch can be locked in the 'Off' position using a 20mm standard shackle padlock (not supplied).

#### IP66 / Nema 4X Unit Lock Off

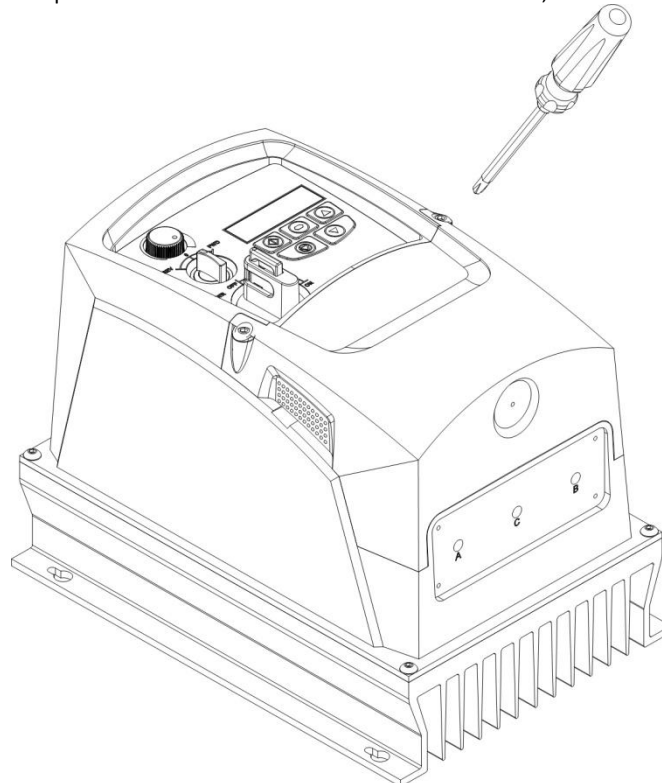


### 10.2. Removing the Terminal Cover

To access the connection terminals, the drive front cover needs to be removed as shown.

#### IP66 / Nema 4X Units

Removing the 2 screws on the front of the product allows access to the connection terminals, as shown below.



### 10.3. Using the REV/0/FWD Selector Switch (Switched Version Only)

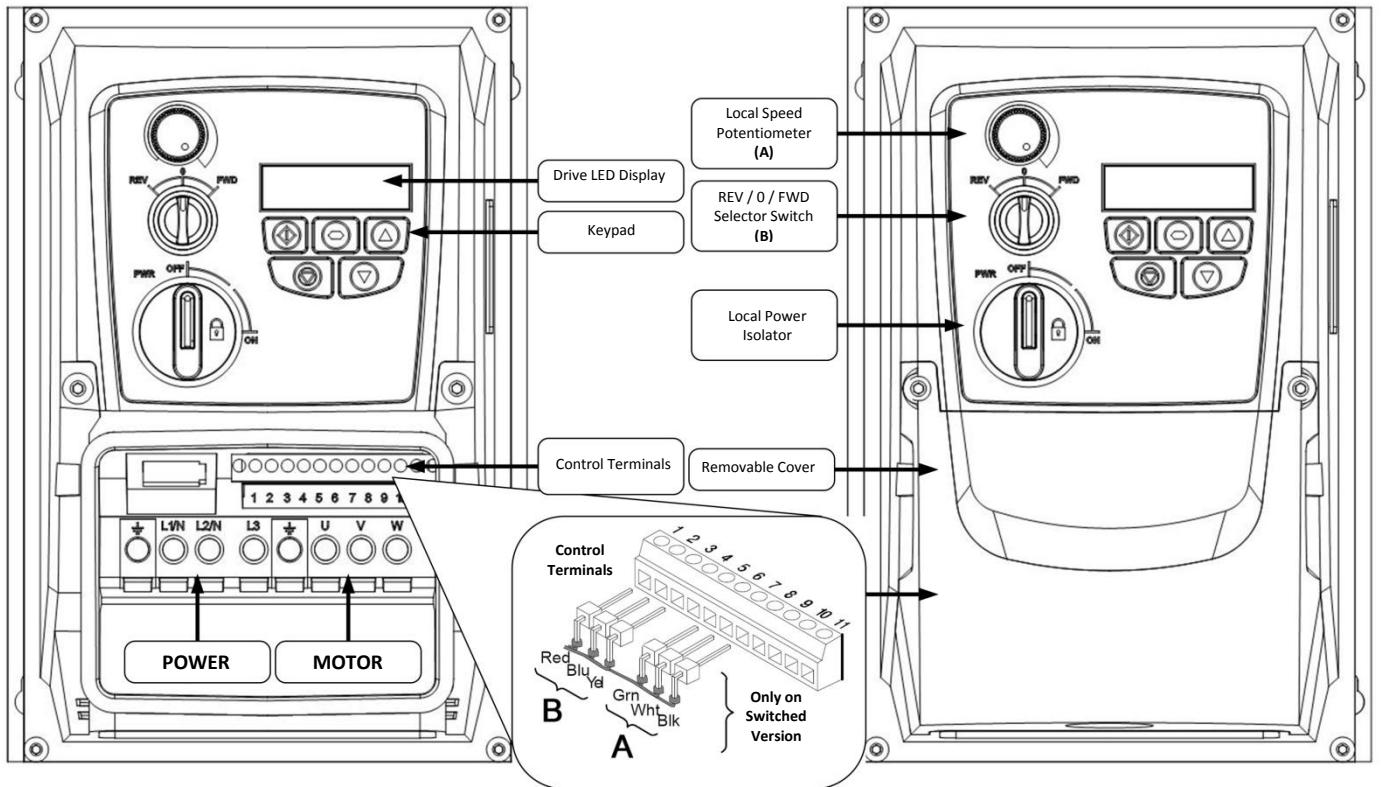
By adjusting the parameter settings the drive can be configured for multiple applications and not just for run forward. Run reverse is not possible with single phase motors and when selected on a drive with single phase output functions according to the table below. Alternative settings could typically be for Hand/Off/Auto applications (also known and Local/Remote) for HVAC and pumping industries.

Switch Position			Parameters to Set		Notes
			P-12	P-15	
Run Forward	STOP	Run Forward	0	0	Factory Default Configuration Run Forward with speed controlled from the Local POT
STOP	STOP	Run Forward	0	5	Run forward with speed controlled form the local POT
Preset Speed 1	STOP	Run Forward	0	1	Run Forward with speed controlled from the Local POT Preset Speed 1 provides a 'Jog' Speed set in P-20
Run Forward	STOP	Run Forward	0	8	Run Forward with speed controlled from the Local POT
Run in Auto	STOP	Run in Hand	0	4	Run in Hand – Speed controlled from the Local POT Run in Auto 0 Speed controlled using Analog input 2 e.g. from PLC with 4-20mA signal.
Run in Speed Control	STOP	Run in PI Control	5	1	In Speed Control the speed is controlled from the Local POT In PI Control, Local POT controls PI set point
Run in Preset Speed Control	STOP	Run in PI Control	5	0, 2, 4,5, 8..12	In Preset Speed Control, P-20 sets the Preset Speed In PI Control, POT can control the PI set point (P-44=1)
Run in Hand	STOP	Run in Auto	3	6	Hand – speed controlled from the Local POT Auto – Speed Reference from Modbus
Run in Hand	STOP	Run in Auto	3	3	Hand – Speed reference from Preset Speed 1 (P-20) Auto – Speed Reference from Modbus

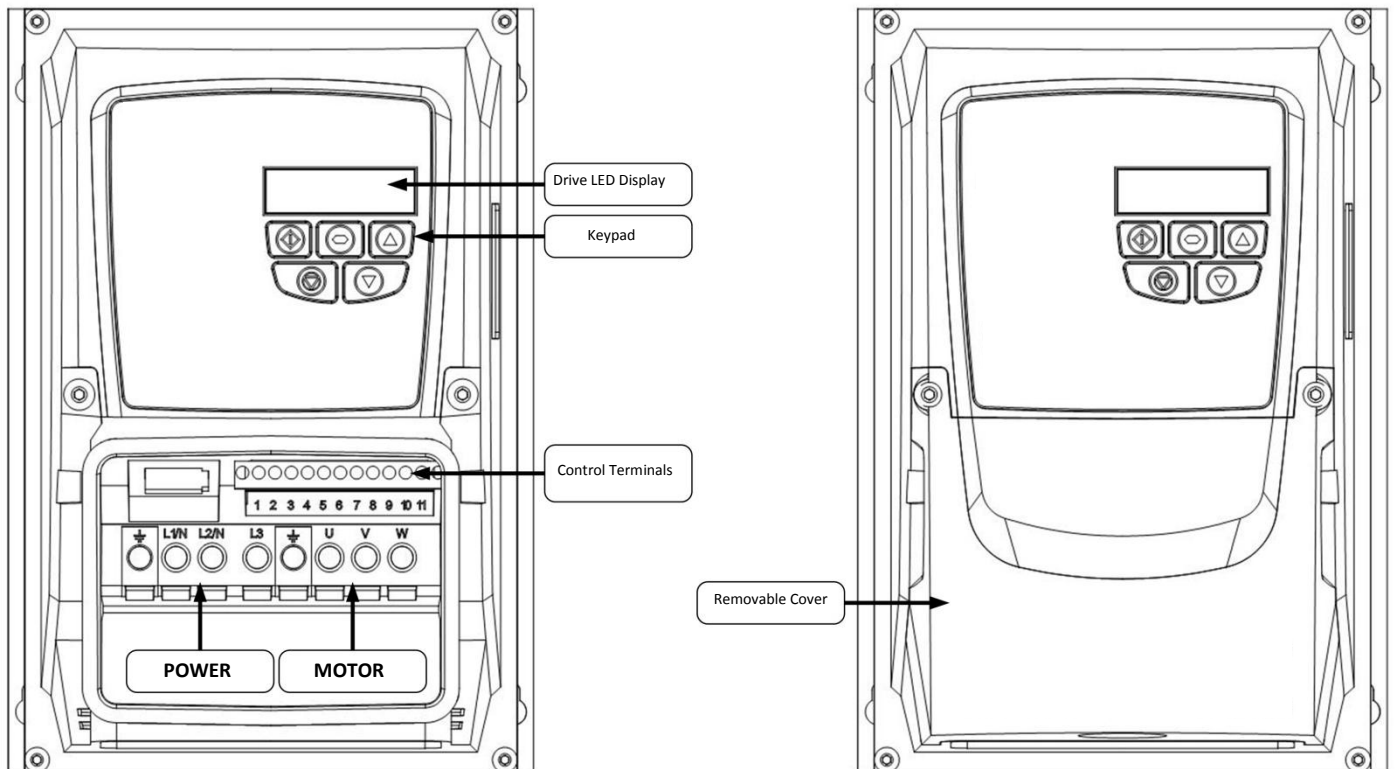
**NOTE** To be able to adjust parameter P-15, extended menu access must be set in P-14 (default value is 101)

## 10.4. IP66 (Nema 4X) Enclosure Layout

### IP66 (Nema 4X) Switched Unit



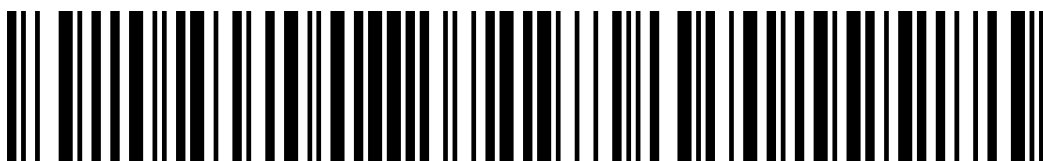
### IP66 (NEMA 4X) Non Switched Unit



## 11. Trouble Shooting

### 11.1. Fault Code Messages

Fault Code	Description	Corrective Action
<i>P-dEF</i>	Factory Default parameters have been loaded	Press STOP key, drive is ready to configure for particular application
<i>O-I</i>	Over current on drive output. Excess load on the motor. Over temperature on the drive heatsink	Motor at constant speed: investigate overload or malfunction. Motor starting: load stalled or jammed. Check for star-delta motor wiring error. Motor accelerating/decelerating: The accel/decel time too short requiring too much power. If P-03 or P-04 cannot be increased, a bigger drive is required. Cable fault between drive and motor.
<i>I.t-trP</i>	Drive has tripped on overload after delivering >100% of value in P-08 for a period of time.	Check to see when the decimal points are flashing (drive in overload) and either increase acceleration ramp (P-03) or decrease motor load. Check cable length is within drive specification. Check the load mechanically to ensure it is free, and no jams, blockages or other mechanical faults exist
<i>OI -b</i>	Brake channel over current	Over current in the brake resistor circuit. Check the cabling to the brake resistor. Check the brake resistor value. Ensure minimum resistance values form the rating tables are observed.
<i>OL-br</i>	Brake resistor overload	Brake resistor overload. Increase deceleration time, reduce load inertia or add further brake resistors in parallel. Ensure minimum resistance values form the rating tables are observed.
<i>P5-trP</i>	Internal power stage fault	Check wiring to motor, look for ph-ph or ph-Earth short circuit. Check drive ambient temp, additional space or cooling needed? Check drive is not forced into overload.
<i>O.Uo It</i>	Over voltage on DC bus	Supply problem, or increase decel ramp time P-04.
<i>U.Uo It</i>	Under voltage on DC bus	This occurs routinely when power is switched off. If it occurs during running, check power supply voltage.
<i>O-t</i>	Heatsink over temperature	Check drive ambient temp. Additional space or cooling required.
<i>U-t</i>	Under temperature	Trip occurs when ambient temperature is less than -10°C. Temperature must be raised over -10°C in order to start the drive.
<i>th-FLt</i>	Faulty thermistor on heatsink.	Refer to the Manufacturer or Authorised Distributor.
<i>E-tr iP</i>	External trip (on digital Input 3)	E-trip requested on digital input 3. Normally closed contact has opened for some reason. If motor thermistor is connected check if the motor is too hot.
<i>SC-trP</i>	Comms loss trip	Check communication link between drive and external devices. Make sure each drive in the network has its unique address.
<i>dRAA-F</i>	Internal memory fault.	Parameters not saved, defaults reloaded. Try again. If problem recurs, refer to the Manufacturer or Authorised Distributor.
<i>4-20 F</i>	Analog input current out of range	Check input current in range defined by P-16.
<i>SC-FLt</i>	Internal drive Fault	Refer to the Manufacturer or Authorised Distributor.
<i>FAULTy</i>	Internal drive Fault	Refer to the Manufacturer or Authorised Distributor.
<i>Pro9--</i>	Internal drive Fault	Refer to the Manufacturer or Authorised Distributor.



82-E21PH-SC\_V1.00