

FUMEX® PRH

Welding hood for industrial use.



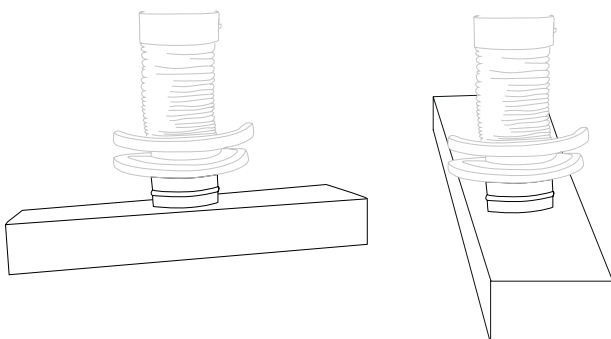
A newly developed hood with 360 ° swivel function enables a wider capture of smoke during e.g welding

The hood is pushed into place against a standard PR hood and two buckles on the inside ensures that the hood is firmly secured.

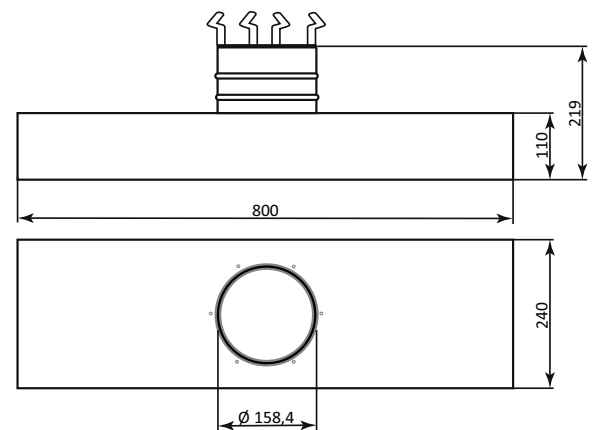
PR can be equipped with LED lighting and / or switch to control the fan / damper.

PRH 800-160 / 2 Hood with swivel, includes a 800N gas spring that replaces the standard gas spring. Fits a PR 2000-160.

PRH 800-160 / 3 Hood with swivel, includes a 1150N gas spring that replaces the standard gas spring. Fits a PR 3000-160.



360 ° swivel function enables a wider working area and maximum flexibility



Technical data

Properties Non-inflammable, suitable for welding fumes and flue gases.

Temperature range.....-10°C to +90° C..

Steel componentsBlack oxidised, chromed or powder coated.

Weight..... 2,2 kg

The Fumex range also includes fans, accessories, automatic control gear and filters for local extraction

LOCAL EXTRACTORS
Pure advantages

www.fumex.com info@fumex.se