

FUMEX®

PRB



PRB The ideal bodywork extractor

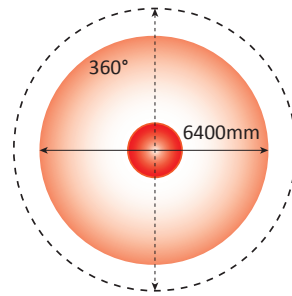
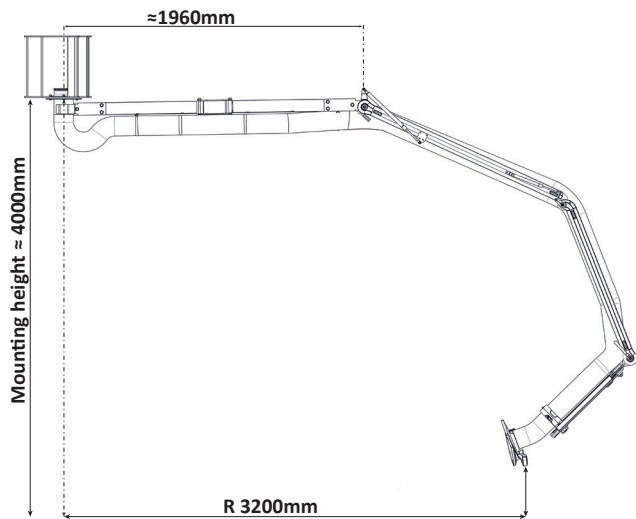
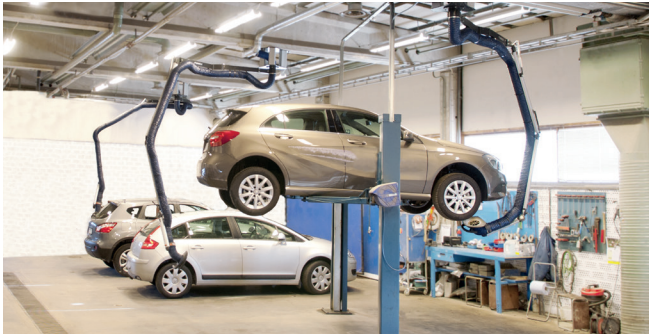
Fumex extractor PRB with a length of 5m is designed for the effective extraction of fume, dust and vapors created during welding, grinding or painting when performing vehicle bodywork.

New technology in combination with new materials and a focus on design gives Fumex PRB many new and important advantages:

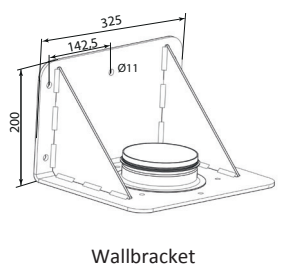
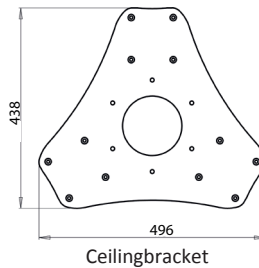
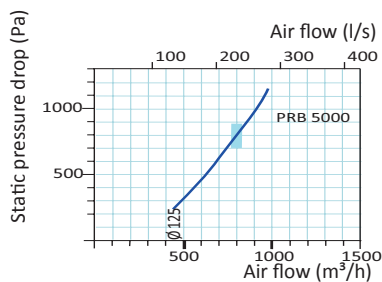
- Unique ease of manoeuvrability.
- High positional stability.
- 360° Movability
- The extra length allows easy access to all four corners of the vehicle.
- Two 4-way friction joints makes the extractor arm simple to position, even below vehicle body.
- External arm support has the lowest possible pressure drop.
- Hood designed for maximum capture efficiency and extraction.
- Supplied partially assembled for ease of installation.

The Fumex range also includes fans, accessories, automatic control gear and filters for local extraction

LOCAL EXTRACTORS
Pure advantages



Working radius
 Max. radius
 Non-working area
 At a mounting height of 4 m and a working height of 750 mm



Hose standard

PVC coated polyamide fabric with fully embedded spring steel coil.
 Hose in quality that cope with aggressive chemicals and other hoses with special requirements can be supplied on request, contact Fumex.

Delivery configuration

The arms are supplied partially assembled, including wall alternative ceiling bracket, for ease of installation.

Technical data

Properties hose..... Non-inflammable, suitable for welding fumes and flue gases.
 Temperature range -10°C to +90° C.
 Plastic components PA, PA30%.
 Aluminium components Anodised.
 Steel components Black oxidised, chromed or powder coated.
 Weight PRB 5000-125: 24 kg

FUMEX®

Verkstadsvägen 2, 931 61 SKELLEFTEÅ, Sweden
 Skellefteå: Tel. 0910-361 80, Fax 0910-13022
 www.fumex.se info@fumex.se