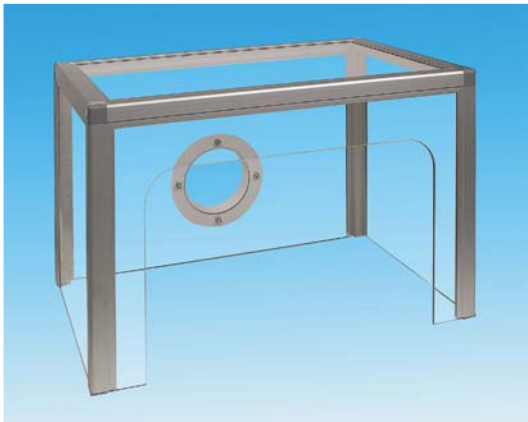
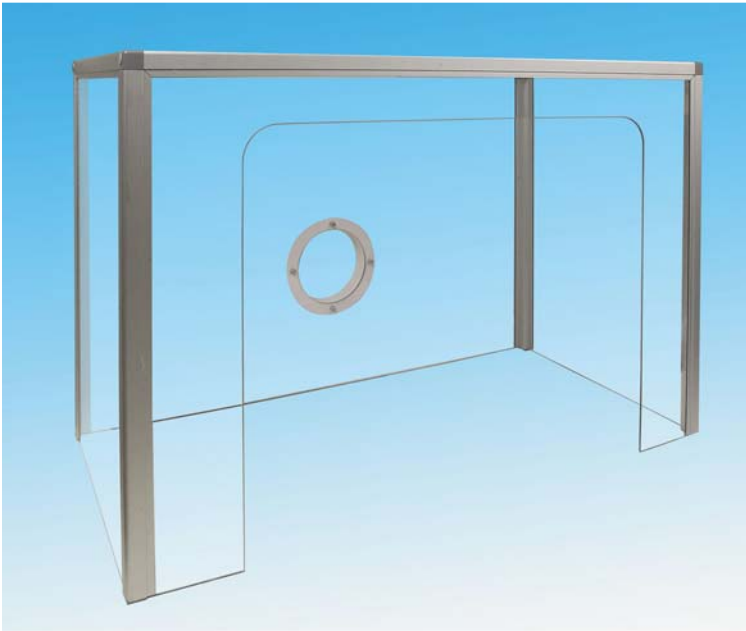


FUME CABINET



DSK 400, 700

Fume cabinets for environments where maximum extraction efficiency is required.

Fume cabinet for work with open chemical vessels, setup of chemical apparatus, gluing, etc. where several sources of contamination are present.

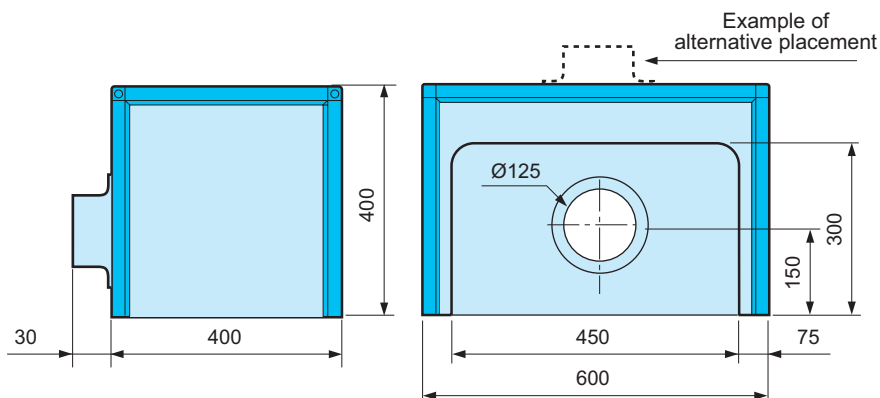
FUMEX fume cabinets are manufactured with transparent sheets and stable aluminium framing, and thus do not block the work area. It is also easy to move when tasks and locations vary.

The DSK 400 and DSK 700 are produced in two standard sizes. Special sizes and designs available upon request.

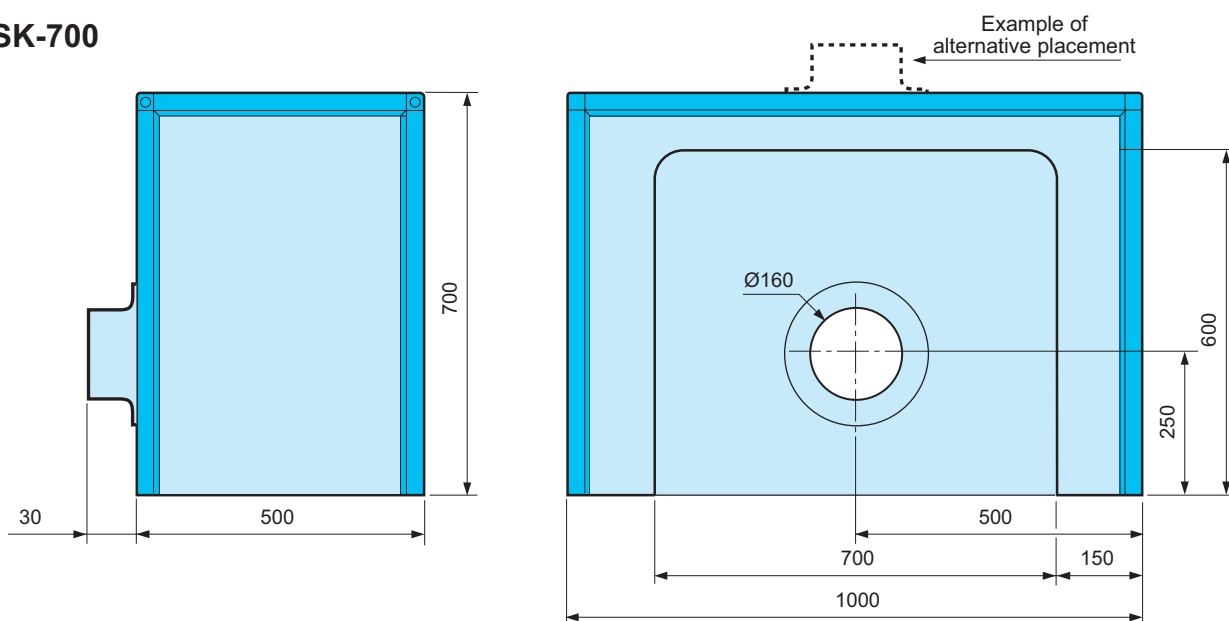
Fumex also offers a range of fans, accessories, automatic control devices and filters for our local extractors.

FUMEX[®]
LOCAL EXTRACTOR
Pure advantage

DSK-400



DSK-700



Material

4.00 mm Vivak PETG sheets
Anodised aluminium frame

Extractor

Connected to separate fan or mobile filter type LF 70.

Standard configuration

Fume cabinet delivered partially assembled.
Exhaust air connection mounted at rear. For alternative placement, specify when ordering.

DSK-400

Airflow
- at 0.5 m/s front velocity 67 l/s (240 m³/h)
- at 0.3 m/s front velocity 40 l/s (145 m³/h)
Connection size Ø125 mm
Volume 96 l
Weight 6.5 kg

DSK-700

Airflow
- at 0.5 m/s front velocity 208 l/s (750 m³/h)
- at 0.3 m/s front velocity 125 l/s (450 m³/h)
Connection size 160 mm
Volume 350 l
Weight 13.5 kg

FUMEX®