

Nordic S4 UNI 3

21.09.2017

Sound – Efficiency – SFP, 240m³/h

S4 – [] 240m ³ /h at 100 Pa	
Temp. Efficiency	86%
Component Unit	84%
SFP	1,01[F7+F7]
Sound ducting L _w	59 dB(A)
Sound ambient L _w	38,5 dB(A)

UNI 3 – 240m ³ /h at 100 Pa	
Temp. Efficiency	84,7%
Component Unit	83%
SFP	1,2 [F7+F7]
Sound ducting L _w	61dB(A)
Sound ambient L _w	42 dB(A)

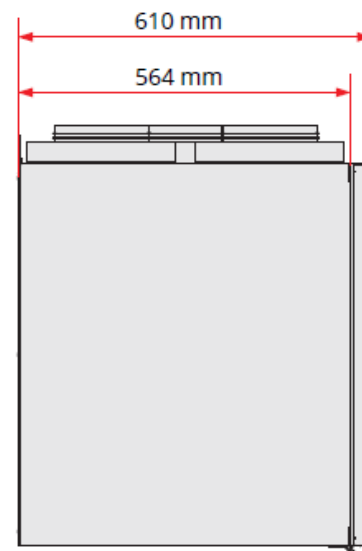
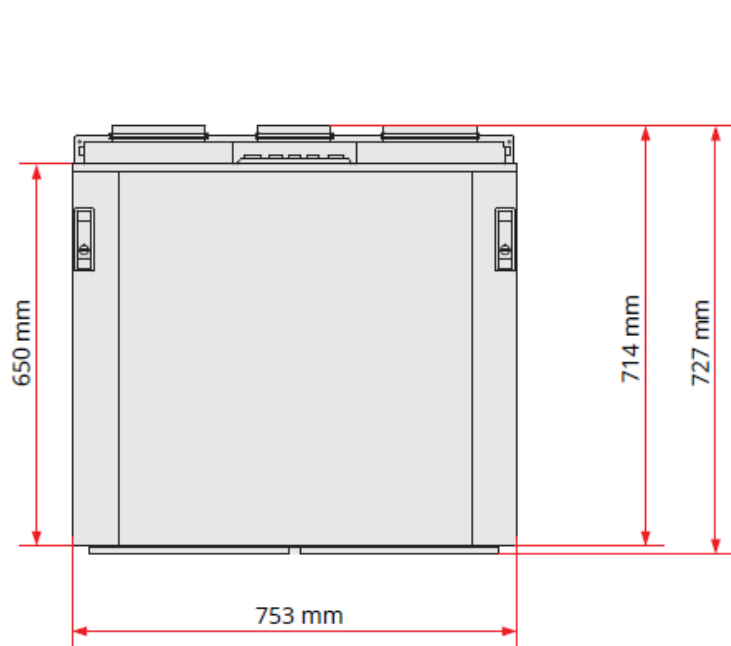
Sound – Efficiency – SFP, 290m³/h

S4 – [] 290m ³ /h at 100 Pa	
Temp. Efficiency Component Unit	85%
	83%
SFP	1,14 [F7+F7]
Sound ducting L _w	62 dB(A)
Sound ambient L _w	41 dB(A)

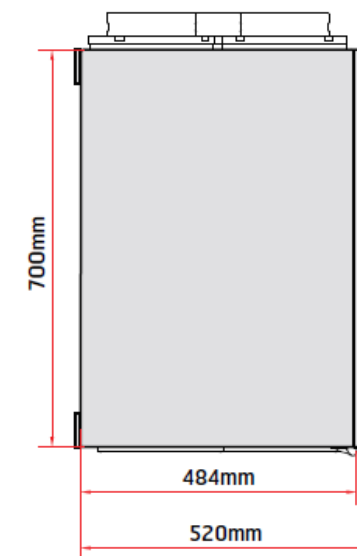
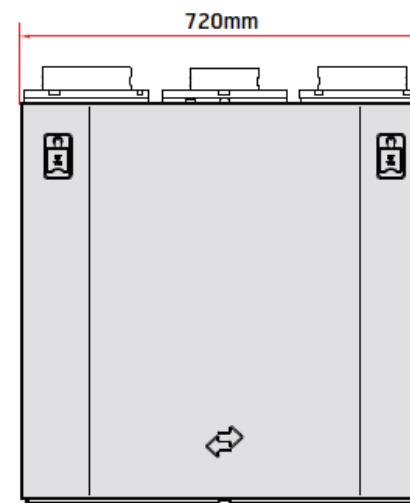
UNI 3 – 290m ³ /h at 100 Pa	
Temp. Efficiency Component	84 %
	82%
SFP	1,3 [F7+F7]
Sound ducting L _w	63dB(A)
Sound ambient L _w	44 dB(A)

Dimensional sketch S4 / UNI 3

S4



Uni 3



Installation

Nordic S4

On wall (vertically)

Standing on floor (with absorption feet)

Hanging from ceiling (with ceiling attachment plate)

UNI 3

On wall (vertically and horizontally)

Laying on floor (with absorption feet)

Hanging horizontally from ceiling

Changes from UNI 3

- EPP top
- Controller/APP
- IP21
- Reduction of cold bridges
- New locks (plastic)
- Increased Temp efficiency
- Reduced power consumption
- Better sound values