

Balancing block and pivoting arms extractor for worksites with stationary vehicles



The Fumex balancing block solution, type ASA without pivoting arm, is equipped with hose, balancing block and suspension belt. The extractor is mounted hanging from the ceiling or other high location. For wall mounting, wall bracket ASA V is available.

The balancing block type Pivoting arm ASA, is equipped with a pivoting arm to serve more than one workplace; the double joint in the middle of the arm makes it cover the whole working area. Suitable for mounting on a high wall or column, the pivoting arm is available in 4 or 6.5 m length. The estimated working radius will be 6 and 9 m respectively.

Suitable nozzles for the balancing block ASA can be found on a separate product leaflet.

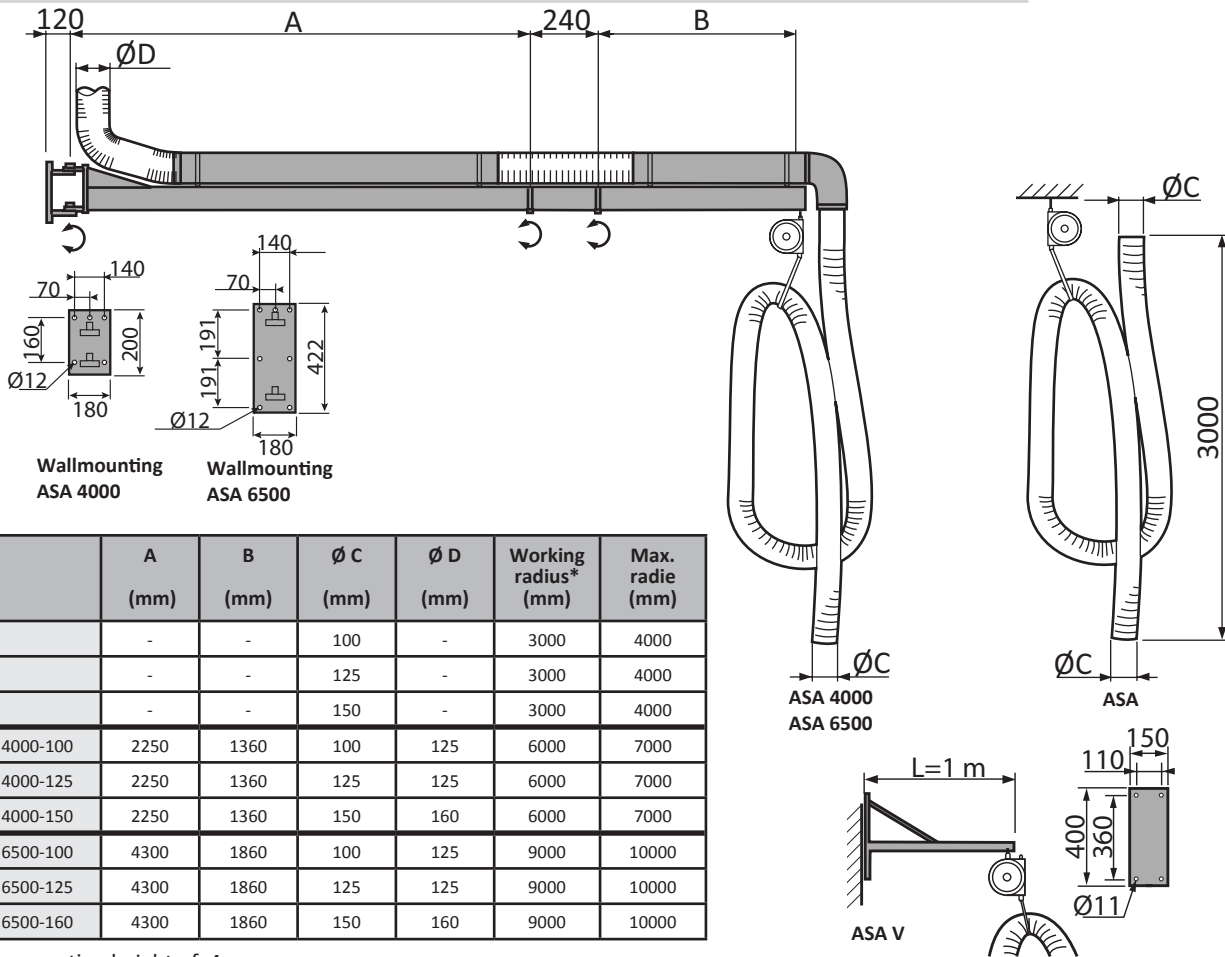
The balancing block ASA is available in hose dimensions 100, 125 and 150 mm. Standard hose length is 5 m, longer hoses are available at 2.5 m intervals. The wire length of the balancing block is 4.2 m. A longer wire is available on request.

The balancing block has a gear lock - the block is pulled down to the required position, where it stays. On completion of work, the block is pulled again and returns to rest position.

The exhaust extractor can be connected to a separate fan or a central extraction system.

The Fumex range also includes fans, accessories, automatic controls and filters suitable for exhaust extraction.

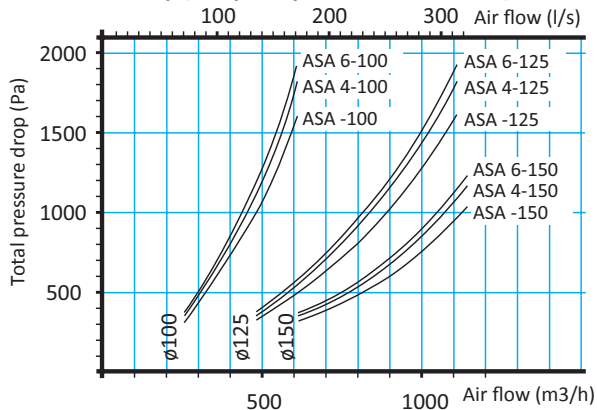
EXHAUST EXTRACTOR
Pure advantages



	A (mm)	B (mm)	Ø C (mm)	Ø D (mm)	Working radius* (mm)	Max. radie (mm)
ASA	-	-	100	-	3000	4000
ASA	-	-	125	-	3000	4000
ASA	-	-	150	-	3000	4000
ASA 4000-100	2250	1360	100	125	6000	7000
ASA 4000-125	2250	1360	125	125	6000	7000
ASA 4000-150	2250	1360	150	160	6000	7000
ASA 6500-100	4300	1860	100	125	9000	10000
ASA 6500-125	4300	1860	125	125	9000	10000
ASA 6500-160	4300	1860	150	160	9000	10000

*At a mounting height of 4 m

Pressure drop (completely extended hose, 5 m)



Systems are normally designed for stationary vehicles, but the air flow should be selected higher than stated exhaust gas flow. The system as a whole should be designed for a somewhat higher load than stated by minimum requirements.

Exhaust gas volume

Vehicle cylinder volume	1000 rpm 120°C	3000 rpm 180°C	6000 rpm 210°C
Car 2,0 l	100 m³/h	300 m³/h	1600 m³/h
Car 3,0 l	150 m³/h	450 m³/h	900 m³/h
Car 4,0 l	200 m³/h	600 m³/h	1100 m³/h
Vehicle cylinder volume	500 rpm 120°C	1250 rpm 180°C	2500 rpm 210°C
Truck 8,0 l	170 m³/h	440 m³/h	880 m³/h
Truck 15,0 l	330 m³/h	825 m³/h	1650 m³/h
Truck 20,0 l	440 m³/h	1100 m³/h	2200 m³/h

Hose

EPDM/polyester heat-resistant rubberised fabric. Spring steel coil completely embedded in EPDM-coated reinforcement. The hose will reshape after compression.

For other hose qualities, contact FUMEX.

Balancing block

Plastic coated coil spring with gear lock in powder coated sheet steel cover.

Delivery design

Supplied complete with mounting brackets and 5 m hose, suspended in balancing block for easy installation. Wall bracket (ASA V) available on request.

For nozzles, see leaflet Nozzles.

Technical data hose

QualitiesNon-inflammable, suitable for exhaust fumes.
Temperature range-30°C to +170°C

Technical data balancing block

QualitiesWire length 4,2 m. Can handle weights between 5-10 kg

Other information

Surface treatment of metal....Powder coating

Weight..... ASA about 8 kg
ASA 4000 about 45 kg
ASA 6500 about 90 kg

FUMEX®

Verkstadsvägen 2, 931 61 SKELLEFTEÅ
Skellefteå : Tel : 0910-361 80, Fax 0910-130 22
www.fumex.com info@fumex.se