

## Technical data sheet

## 227-024D-05-P5

### Rotary drive

## Description

Actuator for adjusting air dampers of 90° angle of rotation to be used in HVAC installations.

- Torque Motor            5 Nm
- Nominal Voltage       24 VAC/DC
- Control                 2/3 Point
- Feedback               P5 = 5 kΩ
- potentiometer
- Damper size            up to approx. 1 m<sup>2</sup>
- Damper coupling       Clamp  
                                   ⌀ 8-15 mm / Ø 8-20 mm



## Technical data

<b>Electrical data</b>	Nominal voltage	24 VAC/DC
	Nominal voltage range	19...29 VAC/DC
	Power consumption motor (motion)	2,0 W
	Power consumption standby (end position)	1,0 W
	Wire sizing	3,0 VA
	Control	2/3 Point
	Position feedback	Potentiometer P5 = 5 kΩ
	Auxiliary switch	-
	Contact load	-
	Switching point	-
	Connection Motor	Cable 1000 mm, 3 x 0,75 mm <sup>2</sup> (halogen free)
	Connection Auxiliary switch	-
	Connection Position feedback	Cable 1000 mm, 3 x 0,75 mm <sup>2</sup> (halogen free)
	Connection GUAC	-
<b>Functional data</b>	Torque Motor	>5 Nm
	Synchronised speed	-
	Direction of rotation	selected by switch
	Manual override	Gearing latch disengaged with pushbutton, self-resetting
	Angle of rotation	0°... max. 95° can be limited with adjustable mechanical end stop min 20°.
	Running time Motor	60...120 s / 90°
	Sound power level Motor	< 45 dB(A)
	Damper coupling	Clamp ⌀ 8-15 mm / Ø 8-20 mm

## Technical data

<b>Functional data</b>	Position indication	mechanical with pointer
	Service life	>60'000 cycles (0° - 95° - 0°)
<b>Safety</b>	Protection class	III (safety extra-low voltage)
	Degree of protection	IP54 (Cable downwards)
	EMC	CE (2004/108/EG)
	LVD	CE (2006/95/EG)
	RoHS	CE (2011/65/EU)
	Mode of operation	Typ 1 (EN 60730-1)
	Rated impulse voltage	0,8 kV (EN 60730-1)
	Control pollution degree	3 (EN 60730-1)
	Ambient temperature normal operation	-30°C...+50°C
	Storage temperature	-30°C...+80°C
	Ambient humidity	5...95% relative humidity, non condensing (EN 60730-1)
	Maintenance	maintenance free
	<b>Dimensions/ Weight</b>	Dimensions
Weight		ca. 530 g

## Operating mode / Properties

### Operating mode

2 point:

Applying the power supply to BU+BN (1+2), rotation direction switch on position "R" the actuator moves to position 1. If BK (1+2+3) is also connected to the power supply the actuator moves to position 0.

3 point:

Applying the power supply to BU+BN (1+2), rotation direction switch on position "R" the actuator moves to position 1. When the power supply is interrupted the actuator remains in its current position. If BU+BK (1+3) are connected to the power supply the actuator moves to position 0.

The actuator is overload-proof, requires no limit switches and stops automatically when the end position is reached.

### Direct mounting

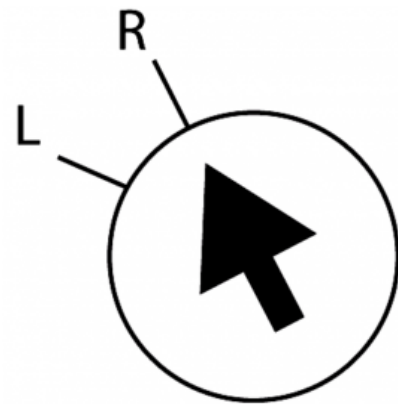
Simple direct mounting on the damper spindle with a universal spindle clamp, supplied with an anti-rotation strap to prevent the actuator from rotating.

### Manual override

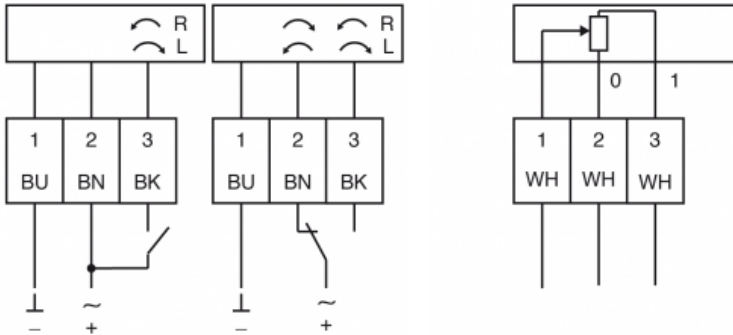
Manual override is possible with the self-resetting pushbutton (the gearing latch remains disengaged as long as the pushbutton is pressed)

### Rotary direction switch

R= clockwise  
L= counter clockwise



## Connection / Safety remarks


**Safety remarks**

- Connect via safety isolation transformer
- The actuator is not allowed to be used outside the specified field of application, especially in airplanes.
- It may only be installed by suitably trained personnel. Any legal regulations or regulations issued by authorities must be observed during assembly.
- The device may only be opened at the manufacturer's site.
- When calculating the required torque, the specifications supplied by the damper manufacturers (cross-section, design, installation site), and the air flow conditions must be observed.
- The actuator is not allowed to be disposed of as household refuse. All locally valid regulations and requirements must be observed.

Technical drawing

