

Technical data sheet

225S-024T-05

Rotary drive without spring return

Description

Actuator for adjusting air dampers of 90° angle of rotation to be used in HVAC installations.

- Torque Motor **5 Nm**
- Nominal Voltage **24 VAC/DC**
- Control **2/3 Point**
- Damper size **up to approx. 1 m²**
- Damper coupling **Clamp**
 ∅ 8-12 mm / Ø 8-16 mm



Technical data

Electrical data

Nominal voltage	24 VAC/DC
Nominal voltage range	19...29 VAC/DC
Power consumption motor (motion)	2,0 W
Power consumption standby (end position)	1,0 W
Wire sizing	3,5 VA
Control	2/3 point
Position feedback	-
Auxiliary switch	-
Contact load	-
Switching point	-
Connection Motor	screw terminals, on cable 0,5...1,5mm ²
Connection Auxiliary switch	-
Connection Position feedback	-
Connection GUAC	-

Functional data

Torque Motor	> 5 Nm
Synchronised speed	-
Direction of rotation	selected by switch
Manual override	Gearing latch disengaged with pushbutton, self-resetting
Angle of rotation	0°... max. 95° Can be limited with adjustable mechanical end stop min 20°
Running time Motor	20...35 s / 90°
Sound power level Motor	< 45 dB(A)
Damper coupling	clamp ∅ 8-12 mm/ Ø 8-16 mm

Technical data

Functional data

Position indication	mechanical with pointer
Service life	> 60'000 cycles (0° - 95° - 0°)

Safety

Protection class	III (low voltage safety current)
Degree of protection	IP 52 (Cable port downwards)
EMC	CE (2004/108/EG)
LVD	CE (2006/95/EG)
RoHS	CE (2011/65/EU)
Mode of operation	Typ 1 (EN 60730-1)
Rated impulse voltage	0,8 kV (EN 60730-1)
Control pollution degree	3 (EN 60730-1)
Ambient temperature normal operation	-30°...+50°
Storage temperature	-30°...+80°
Ambient humidity	5...95% r.F., non- condensating (EN 60730-1)
Maintenance	maintenance free

Dimensions/ Weight

Dimensions	145 x 65 x 61 mm
Weight	ca. 530 g

Operating mode / Properties

Operating mode

2- point.

Through connecting the power supply to 1+2 and the direction of rotation switch on position "R" moves the actuator to position 1. Is also 1+2+3 connected to the power supply the actuator is moving to position 0.

3- point.

Through connecting the power supply to 1+2 and the direction of rotation switch on position "R" moves the actuator to position 1. If the power supply is interrupted the actuator maintains its current position. Is also 1+3 connected to the power supply the actuator is moving in direction 0.

The actuator is overload-proof, requires no limit switches and automatically stops when the end stop is reached.

Direct mounting

Simple direct mounting on the damper spindle with a universal spindle clamp, supplied with an anti-rotation strap to prevent the actuator from rotating.

Manual override

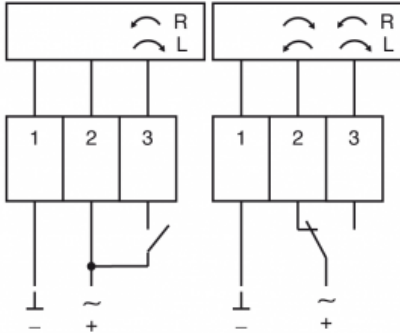
Manual override is possible with the self-resetting pushbutton (the gearing latch remains disengaged as long as the pushbutton is pressed)

Rotary direction switch

R/ CW = clockwise
L/ CCW = counter clockwise



Connection / Safety remarks


Safety remarks

- Connect via safety isolation transformer
- The actuator is not allowed to be used outside the specified field of application, especially in airplanes.
- In may only be installed by suitably trained personnel. Any legal regulations or regulations issued by authorities must be observed during assembly.
- The device may only be opened at the manufacturer's site.
- When calculating the required torque, the specifications supplied by the damper manufacturers (cross- section, design, installation site), and the air flow conditions must be observed.
- The actuator is not allowed to be disposed of as household refuse. All locally valid regulations and requirements must be observed.

Technical drawing

