

## Technical data sheet

# 225-230T-05-P5

## Rotary drive without spring return

### Description

Actuator for adjusting air dampers of 90° angle of rotation to be used in HVAC installations.

- Torque Motor            5 Nm
- Nominal Voltage       230 VAC/DC
- Control                 2/3 Point
- Feedback               P5 = 5 kΩ
- potentiometer
- Damper size            up to approx. 1 m<sup>2</sup>
- Damper coupling       Clamp  
◇ 8-12 mm / Ø 8-16 mm



### Technical data

<b>Electrical data</b>	Nominal voltage	230 VAC/DC
	Nominal voltage range	85...265 VAC
	Power consumption motor (motion)	1,5 W
	Power consumption standby (end position)	1,0 W
	Wire sizing	3,5 VA
	Control	2/3 point
	Position feedback	Potentiometer P5 = 5 kΩ
	Auxiliary switch	-
	Contact load	-
	Switching point	-
	Connection Motor	screw terminals, on cable 0,5...1,5mm <sup>2</sup>
	Connection Auxiliary switch	-
	Connection Position feedback	screw terminals, on cable 0,5...1,5mm <sup>2</sup>
	Connection GUAC	-
<b>Functional data</b>	Torque Motor	> 5 Nm
	Synchronised speed	-
	Direction of rotation	selected by switch
	Manual override	Gearing latch disengaged with pushbutton, self-resetting
	Angle of rotation	0°... max. 95° Can be limited with adjustable mechanical end stop min 20°
	Running time Motor	60...120 s / 90°
	Sound power level Motor	< 35 dB(A)
	Damper coupling	clamp ◇ 8-12 mm / Ø 8-16 mm

## Technical data

<b>Functional data</b>	Position indication	mechanical with pointer
	Service life	> 60'000 cycles (0° - 95° - 0°)
<b>Safety</b>	Protection class	II (double insulation)
	Degree of protection	IP 52 (Cable port downwards)
	EMC	CE (2004/108/EG)
	LVD	CE (2006/95/EG)
	RoHS	CE (2011/65/EU)
	Mode of operation	Typ 1 (EN 60730-1)
	Rated impulse voltage	4 kV (EN 60730-1)
	Control pollution degree	3 (EN 60730-1)
	Ambient temperature normal operation	-30°...+50°
	Storage temperature	-30°...+80°
	Ambient humidity	5...95% r.F., non- condensating (EN 60730-1)
	Maintenance	maintenance free
	<b>Dimensions/ Weight</b>	Dimensions
Weight		ca. 530 g

## Operating mode / Properties

### Operating mode

2- point.

Through connecting the power supply to 1+2 and the direction of rotation switch on position "R" moves the actuator to position 1. Is also 1+2+3 connected to the power supply the actuator is moving to position 0.

3- point.

Through connecting the power supply to 1+2 and the direction of rotation switch on position "R" moves the actuator to position 1. If the power supply is interrupted the actuator maintains its current position. Is also 1+3 connected to the power supply the actuator is moving in direction 0.

The actuator is overload-proof, requires no limit switches and automatically stops when the end stop is reached.

### Direct mounting

Simple direct mounting on the damper spindle with a universal spindle clamp, supplied with an anti-rotation strap to prevent the actuator from rotating.

### Manual override

Manual override is possible with the self-resetting pushbutton (the gearing latch remains disengaged as long as the pushbutton is pressed)

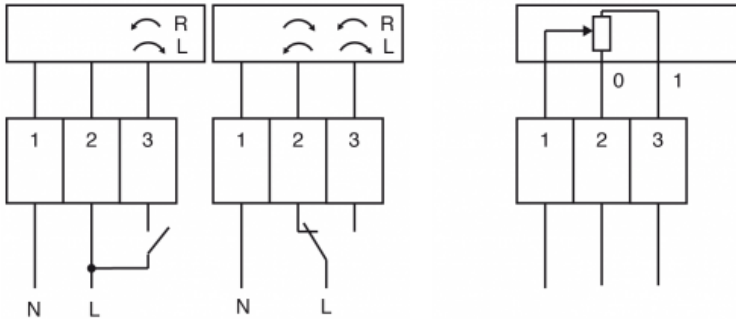
### Rotary direction switch

R/ CW = clockwise

L/ CCW = counter clockwise



## Connection / Safety remarks


**Safety remarks**

- Attention mains voltage
- The actuator is not allowed to be used outside the specified field of application, especially in airplanes.
- It may only be installed by suitably trained personnel. Any legal regulations or regulations issued by authorities must be observed during assembly.
- The device may only be opened at the manufacturer's site.
- When calculating the required torque, the specifications supplied by the damper manufacturers (cross-section, design, installation site), and the air flow conditions must be observed.
- The actuator is not allowed to be disposed of as household refuse. All locally valid regulations and requirements must be observed.

Technical drawing

