

Pro7



115461EN-01
2016-02



EN

Bathroom fan and Heat mover Operating and installation instructions

Type: K7

Important

Read these instructions carefully before use.

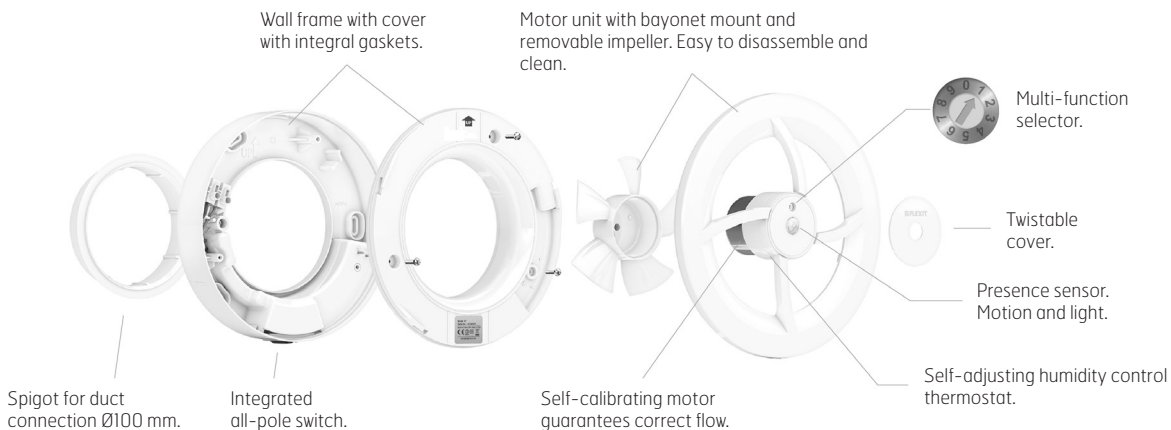
The fan is designed for permanent installation and must be installed by a qualified electrician.

Under standard EN 60335, the following must be observed. This device may be used by persons from eight years upwards and by persons with reduced physical or mental capacity or who lack experience and knowledge, providing they have received guidance or been instructed in the safe use of the device and understand the risks involved. Children must not be allowed to play with the device. Cleaning and maintenance must not be carried out by unsupervised children.

The package contains of:

- 1 pc Pro7 bathroom fan
- 3 pcs Screws for fixing the wall frame to the wall or ceiling
- 1 pc Mini screwdriver for changing the position of the multi-function selector
- 1 pc Set of operating and installation instructions

Fan parts



Thank you for choosing a quality product from Flexit!

We hope you will be fully satisfied with your new Pro7 fan for many years to come. For your safety, every product has been individually function-tested before leaving our production facility.

Pro7 – seven fans in one

Pro7 is a multi-function fan, developed and manufactured in Sweden, for installation as a bathroom fan (with six different ventilation options), or as an energy-saving heat transfer unit. Its unique multi-function selector makes it easy to switch between functions. Just lift the cover. Select a function. Ready to go!

Bathroom fan (with six optional ventilation solutions)

Pro7 has six different selectable operating functions, for performing air extraction in all homes with natural ventilation. It has been designed and approved for installation in wet rooms (IP44) such as WCs, bathrooms and utility rooms. For mounting on wall or in ceiling. Ducting (Ø100-125 mm), outer louvre/grille/cowl/back draught shutter are delivered separately. See Flexit accessories.

Heat Mover – save energy

Pro7 has an integral electronic thermostat allowing the fan to transfer surplus heat from, e.g. a fireplace, to an adjacent room. The fan is mounted on a partition wall or between floors (wall/floor penetrations Ø100-125 mm).

Supply air

For good home ventilation you need to ensure that:

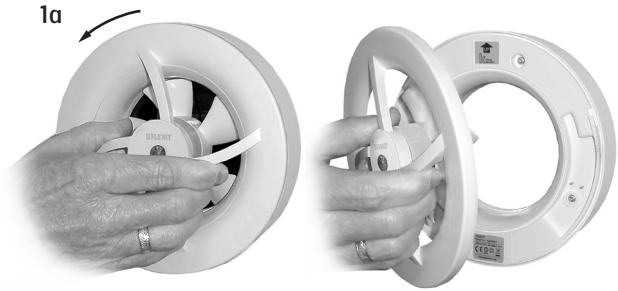
- air can reach the wet room e.g. via a gap in the door or a through a ventilation valve.
- fresh air enters the home via ventilation valves in bedrooms and living rooms.

Installation

1. Preparations

The motor unit has a unique bayonet connection for ease of removal and replacement in case of installation, change of function and cleaning.

- a) Lift the motor unit out of the wall frame. Lightly grasp the spokes and turn anti-clockwise.
- b) The wall frame cover is retained by 3 screws. Untighten these and remove the cover. The screws will be retained by their gaskets and do not need to be fully unscrewed.



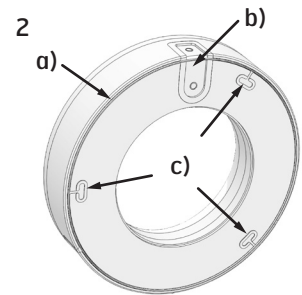
2. Gaskets

To avoid water penetrating the fan, the wall frame has several integral gaskets:

- a) on the rear, gasket against the substrate.
- b) by the cable bushing.
- c) by the screw bushing, 3 in total.

If necessary, seal with silicone, etc.

Note: The fan is surface-mounted on walls or ceilings. Seal any gaps between fan and ventilation duct.



3. Mounting the wall frame

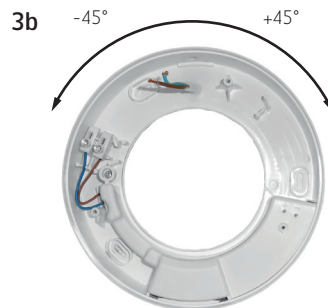
The fan is mounted on the surface on walls or in ceilings. Suitable for $\varnothing 100$ mm duct, but $\varnothing 125$ mm can also be used.

- a) The cable bushing is situated in the top part of the wall frame. Electrical connection can either be performed from the rear (concealed) or from the top (external), see also fig. 2b

Make a hole in the gasket with a pricker or similar sharp tool.

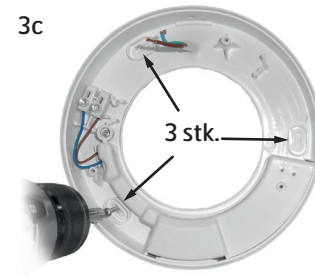


- b) Position the wall frame so that the cable bushing is uppermost $\pm 45^\circ$.



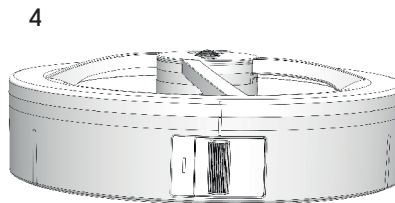
- c) Screw the wall frame to the substrate with the screws provided (3 in total).

Use the Cover Plate accessory, art. no. 115463, if there is not enough space for screw fixing.



4. All-pole switch

According to standard EN 60335-1, it must be possible to disconnect the fan from the mains supply. This requirement is fulfilled with the integral all-pole switch (2-pole, 3 mm contact gap).



5. Electrical connection

NB! May only be carried out by qualified electrician.

During any electrical work on the fan, the voltage supply must be disconnected.

The fan is designed for permanent installation at 230 VAC, 50 Hz.

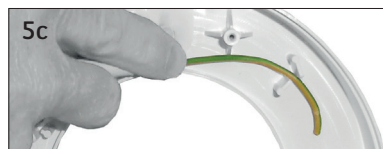
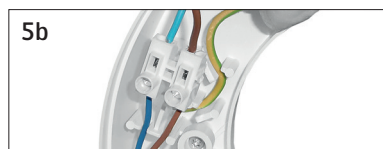
Double-insulated, requires no earth.

a) Connect in phase and neutral on terminal board.

Earth cable can be attached two places:

b) to the right of the terminal board.

c) to the right of the cable bushing.



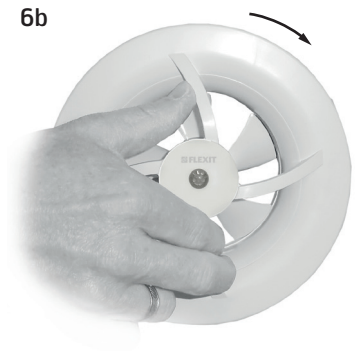
6. Reassemble cover and motor unit

a) Reassemble the cover on the wall frame (three screws). Be sure that the two 12V pins are in the correct position (rating plate downwards, arrow upwards)



b) Reassemble and lock the motor unit in the wall frame by turning it clockwise. To locate the correct position for the bayonet mount, the multi-function selector must be in position 12 noon.

There are also two lines on the bottom edge by the all-pole switch which is lined up when the motor unit is correctly mounted, see fig. 4.



Function description

Continuous basic ventilation (basic airflow)

The fan operates at a constant low speed, 40 m³/h, creating a useful basic ventilation.

Presence sensor – motion (IR) and light

The presence sensor is activated by motion (IR) or when the lighting is switched on. Delay time 15 minutes.

The fan switches to a medium speed, 60 m³/h, and depending on the choice of function, it starts up:

- directly (positions 1, 2 and 6)
- after a 2.5 minute delay (position 4)

Automatic humidity control

A self-adjusting humidity sensor continuously measures the humidity level in the air. The fan starts up automatically if the humidity level rises rapidly (e.g. in the case of a shower) or if the relative humidity (RH) exceeds 70%. When the humidity level recedes, the fan returns to basic airflow or stops.

Depending on the choice of function (see next page), the fan will operate at:

- High speed 95 m³/h (positions 1, 3, 4 and 6)
- Maximum speed 110 m³/h (position 2)

Manual start and stop by use of a switch

The fan may be connected for manual start via a separate light/power switch. When the switch is activated, the fan will start up and run at high speed, 95 m³/h. When the switch is turned off, the fan will stop.

Airing function

If the humidity control or presence sensor has not been active for 24 hours, the airing function will start up. The fan will operate at medium speed (60 m³/h) for 30 minutes every 12 hours.

Heat Mover, thermostat

The fan will start at 28°C and move the surplus heat to adjacent rooms.

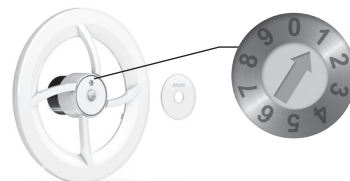
The fan turns off at 24°C. Airflow 95 m³/h.

Function positions 1 – 7

Pro7 has seven function options. The fan is set to Position 1 at the factory, which means that it will automatically function at three speeds, see function description below.

Changing the function

The unique multi-function selector makes it easy to switch between functions. Lift the cover and select the desired function manually with the accompanying screwdriver. Ready to go! Note that it is possible to change function even when the motor unit has been removed from the wall frame.



Position for continuous basic ventilation

Position 1 Fully automatic, three speeds:

Basic flow – low speed 40 m³/h

Presence sensor – medium speed 60 m³/h

Humidity control – high speed 95 m³/h

Position 2 As for position 1, but humidity control is set to max speed 110 m³/h.

Position 3 As for position 1, but without presence sensor operating.

Positions for occasional ventilation needs

Position 4 Autostart in case of presence or rising humidity levels in the room, 95 m³/h.

Position 5 Manual start/stop via switch. The fan will run at high speed, 95 m³/h.

Position 6 Airing function. If the fan has been inactive for more than 24 hours, it will start up automatically and air the property, 60 m³/h. Otherwise, as for position 4.

Heat Mover

Position 7 Heat transfer unit, thermostat, 95 m³/h.

Positions 0, 8 and 9 are not used.

Cleaning

To maintain its function and capacity, the fan must be cleaned at least twice a year, or more often if necessary. No solvents may be used on the fan. The fan must not be submerged in or flushed with water.

- Prior to cleaning: Turn off power to the fan with the integral all-pole switch.
- Lift the motor unit out of the wall frame (see fig. 1 in the Installation section).
- Clean the opening, duct and motor unit with a damp cloth (if necessary a mild detergent may be used).
- The blade may be cleaned as situated. If the blade is very soiled, you can release it by pulling it straight out. It can then be washed and rinsed.
- Mount and lock the motor unit in the wall frame (see fig. 6b in the Installation section).

Environmental Product Declaration

The product and manufacturing complies with current international environmental regulations such as WEEE and RoHS directive.

EE-products (Electrical and Electronic products)

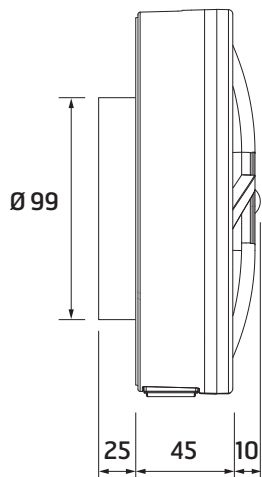
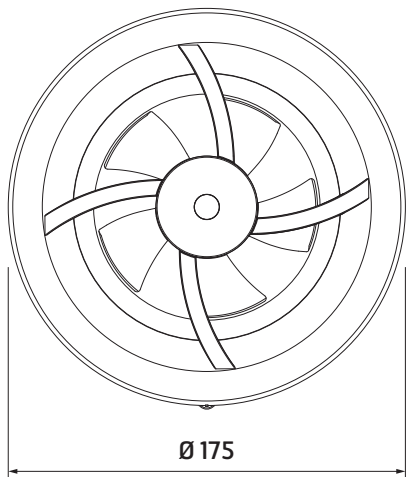
In compliance with the WEEE directive Flexit is connected to the national system for recycling of EE-products.



The symbol on the product shows that this product must not be treated as household waste. It must be taken to a reception station for recycling of electric and electronic equipment. By ensuring the correct disposal of the equipment, you will contribute to preventing the negative consequences for the environment and health that incorrect handling may entail. For further information on recycling of this product, please contact your local authority, your waste disposal company or the company from which you purchased it.

Warranty claims on this product are accepted in accordance with the applicable terms of sale, **provided that the product is correctly installed, used and maintained.**

Dimensions



Technical data

Voltage / frequency	230 V / 50 Hz
Power consumption	3 W
Protection rating	IP 44
Insulation class	Class II
Airflow:	
Minimum speed	40 m ³ /h
Medium speed	60 m ³ /h
High speed	95 m ³ /h
Max speed	110 m ³ /h
Max pressure	
Max pressure	48 Pa
Sound pressure	17-25 dB(A) 3m
Weight	0,48 Kg
Ambient temperature	5 - 35°C
Duct	Ø100/125
Placement	Wall and ceiling
Material	Polypropen
Colour	RAL 9016

EC Declaration of Conformity

This declaration confirms that the product meet the requirements in the following directives and standards:

2006/95/EF Low-voltage Directive (LVD)
2004/108/EF Electromagnetic Compatibility (EMC)
2011/65/EU RoHS directiv

Manufacturer: Nordiska Klimatfabriken AB, Fogdö Solö, 645 92 Strängnäs, Sweden

Type: K7 (Pro7, art.no. 115462)

Conformity with following standards, certificates and reports:

Standard	Certificate	Test report
EN 60335-1:2012 + A11	Intertek Semko 1510297	Intertek Semko 1510297STO-001
EN 60335-2-80:2003 + A1 + A2	Intertek Semko 1510297	Intertek Semko 1510297STO-001
EN 62233:2008	Intertek Semko 1510297	Intertek Semko 1510297STO-001
EN 55014-1:2006 + A1:2009 + A2:2011	Intertek Semko 1510653V	Intertek Semko 1510653STO-001, Ed. 1
EN 55014-2:1997 + A1:2001 + A2:2008	Intertek Semko 1510653V	Intertek Semko 1510653STO-001, Ed. 1
EN 61000-3-2:2014	Intertek Semko 1510653V	Intertek Semko 1510653STO-001, Ed. 1
EN 61000-3-3:2013	Intertek Semko 1510653V	Intertek Semko 1510653STO-001, Ed. 1



Frank Petersen
CEO

Flexit AS, Televeien 15, 1870 Ørje, Norway

www.flexit.no

